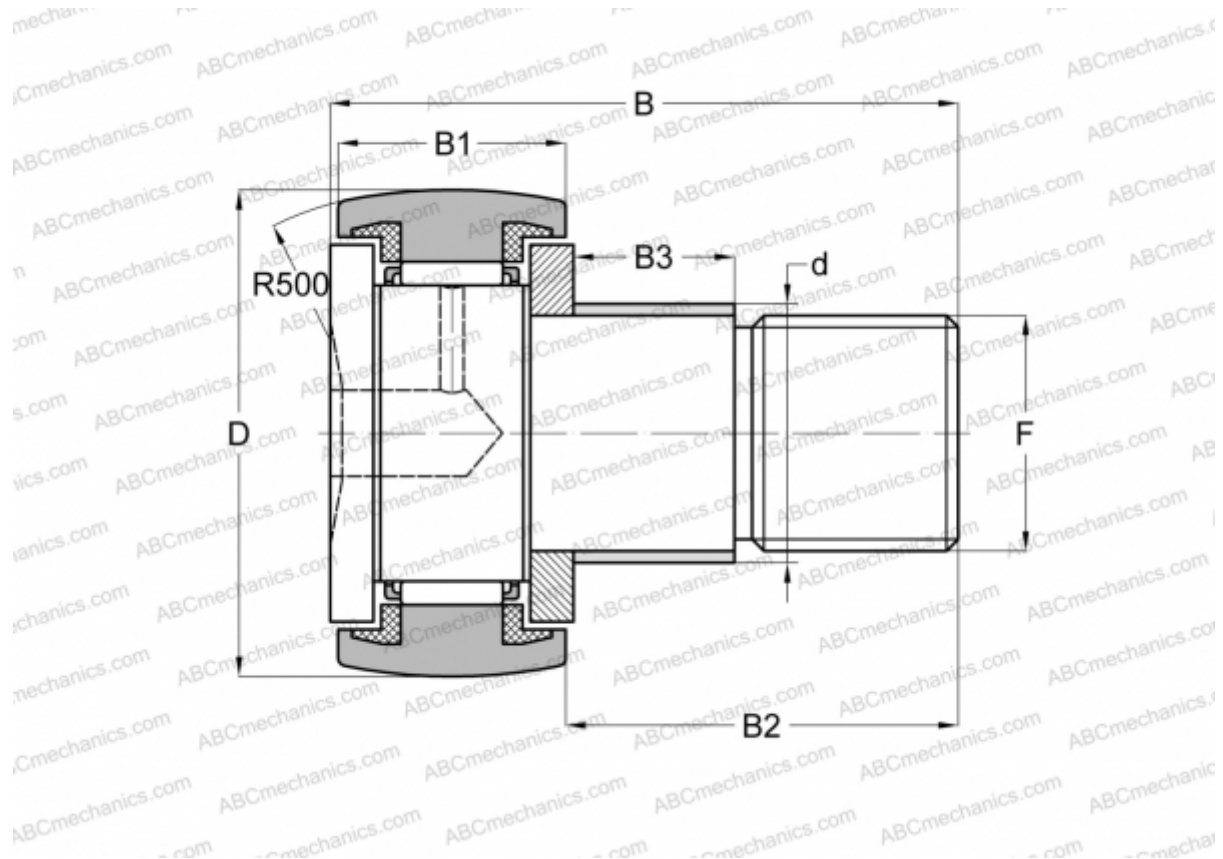


CFE 8 UUR IKO

Cam followers

TYPE: Roller bearings, Stud type track rollers, With axial guidance, with eccentric collar, sealing rings on both sides



Technical specification

DIMENSIONS, MM

d	11,000
D	19,000
B	32,000
B1	11,000
B2	20,000
B3	9,000
F	M8x1,25

WEIGHT, KG 0,032

MANUFACTURER [IKO](#)

INTERCHANGE

ABC	KRE 19 PP
SKF	KRE 19 PPA
INA	KRE 19 PPA