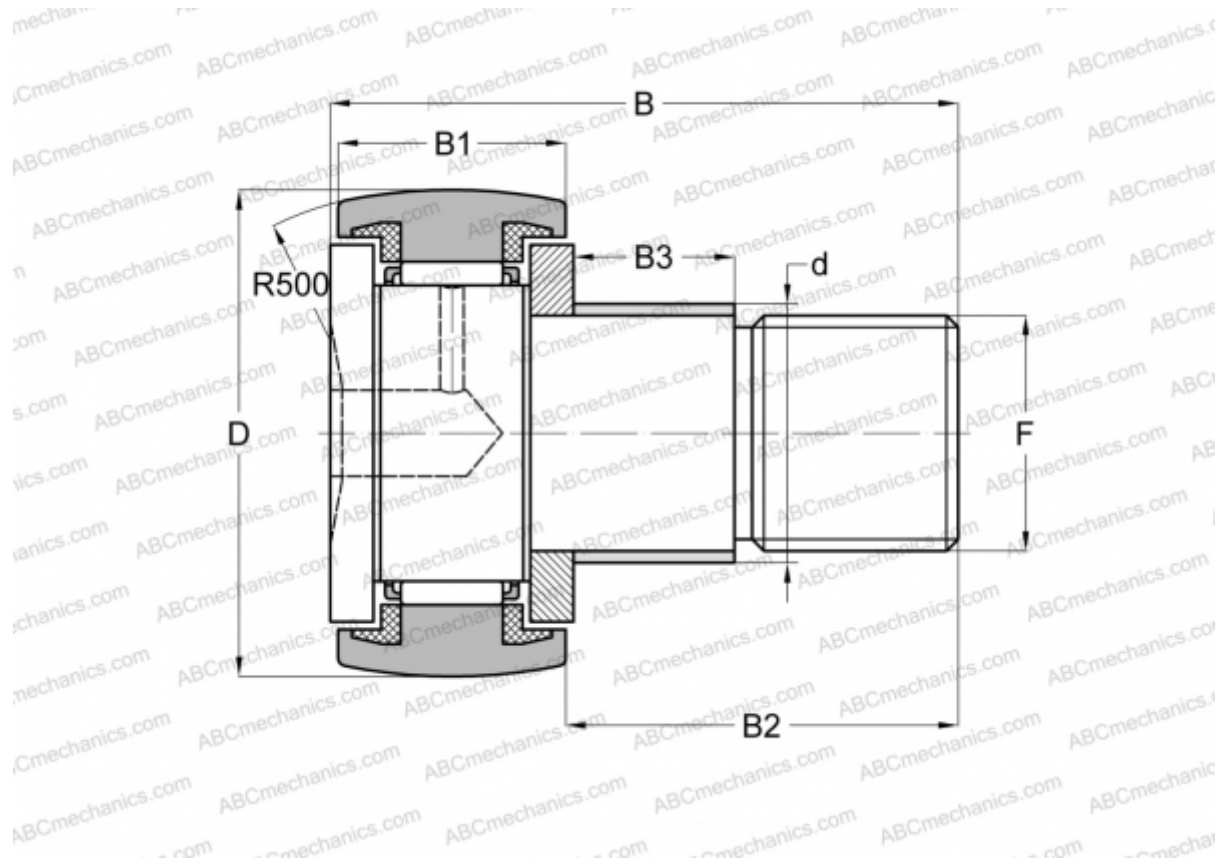


CFE 10 UURM IKO

Cam followers

TYPE: Roller bearings, Stud type track rollers, With axial guidance, with eccentric collar, sealing rings on both sides



Technical specification

DIMENSIONS, MM

d	13,000
D	22,000
B	36,000
B1	12,000
B2	23,000
B3	10,000
F	M10x1

WEIGHT, KG 0,050

MANUFACTURER [IKO](#)

INTERCHANGE

ABC	KRE 22 PP
SKF	KRE 22 PPA
INA	KRE 22 PPA