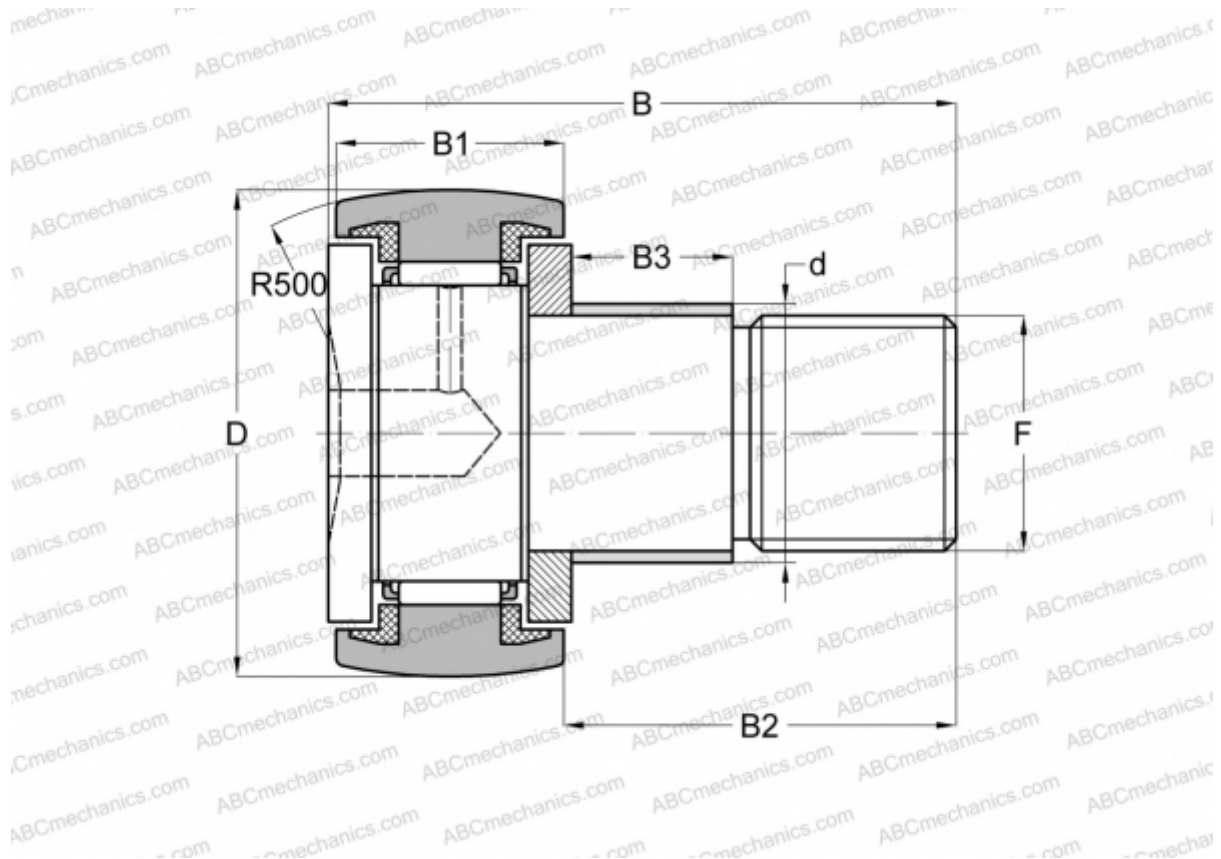


## KRE 26 PP ABC

Cam followers

TYPE: Roller bearings, Stud type track rollers, With axial guidance, with eccentric collar, sealing rings on both sides



### Technical specification

#### DIMENSIONS, MM

d	13,000
D	26,000
B	36,000
B1	12,000
B2	23,000
B3	10,000
F	M10x1

**WEIGHT, KG** 0,064

**MANUFACTURER** [ABC](#)

#### INTERCHANGE

SKF	<a href="#">KRE 26 PPA</a>
INA	<a href="#">KRE 26 PPA</a>
IKO	<a href="#">CFE 10-1 UURM</a>