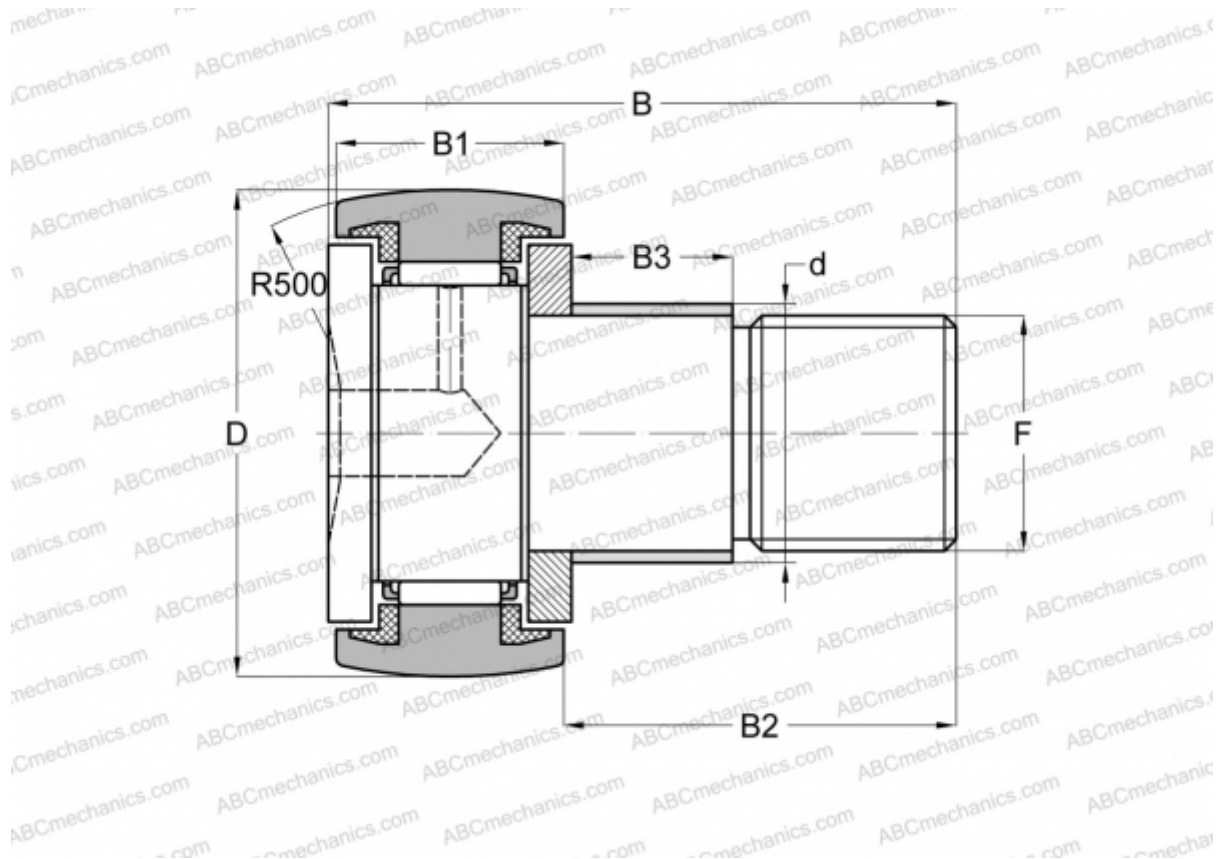


## KRE 26 PPA SKF

Cam followers

TYPE: Roller bearings, Stud type track rollers, With axial guidance, with eccentric collar, sealing rings on both sides



### Technical specification

#### DIMENSIONS, MM

d	13,000
D	26,000
B	36,000
B1	12,000
B2	23,000
F	M 10x1

**WEIGHT, KG** 0,062

**MANUFACTURER** [SKF](#)

#### INTERCHANGE

ABC	<a href="#">KRE 26 PP</a>
INA	<a href="#">KRE 26 PPA</a>
IKO	<a href="#">CFE 10-1 UURM</a>

#### CALCULATION DATA

Basic dynamic load rating, C	4,840 kN
Basic static load rating, Co	6,000 kN
Fatigue load limit, Pu	0,655 kN
Limiting speed	5300 r/min

#### REPLACES

KRE 26 PP