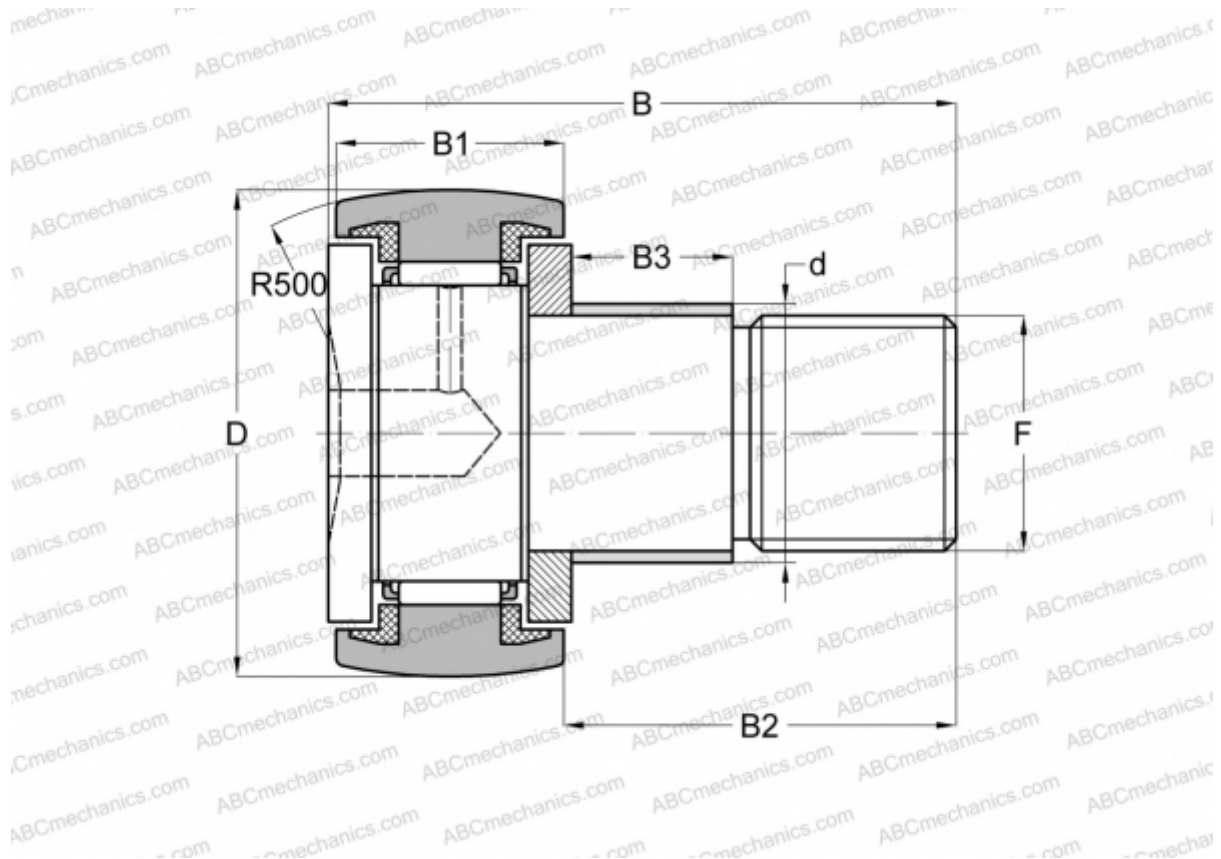


## KRE 30 PPA SKF

Cam followers

TYPE: Roller bearings, Stud type track rollers, With axial guidance, with eccentric collar, sealing rings on both sides



### Technical specification

#### DIMENSIONS, MM

d	15,000
D	30,000
B	40,000
B1	14,000
B2	25,000
F	M 12x1.5

**WEIGHT, KG** 0,093

**MANUFACTURER** [SKF](#)

#### INTERCHANGE

ABC	<a href="#">KRE 30 PP</a>
INA	<a href="#">KRE 30 PPA</a>

#### CALCULATION DATA

Basic dynamic load rating, C	6,440 kN
------------------------------	----------

#### CALCULATION DATA

Basic static load rating, Co	8,000 kN
Fatigue load limit, Pu	0,880 kN
Limiting speed	4800 r/min

#### REPLACES

KRE 30 PP