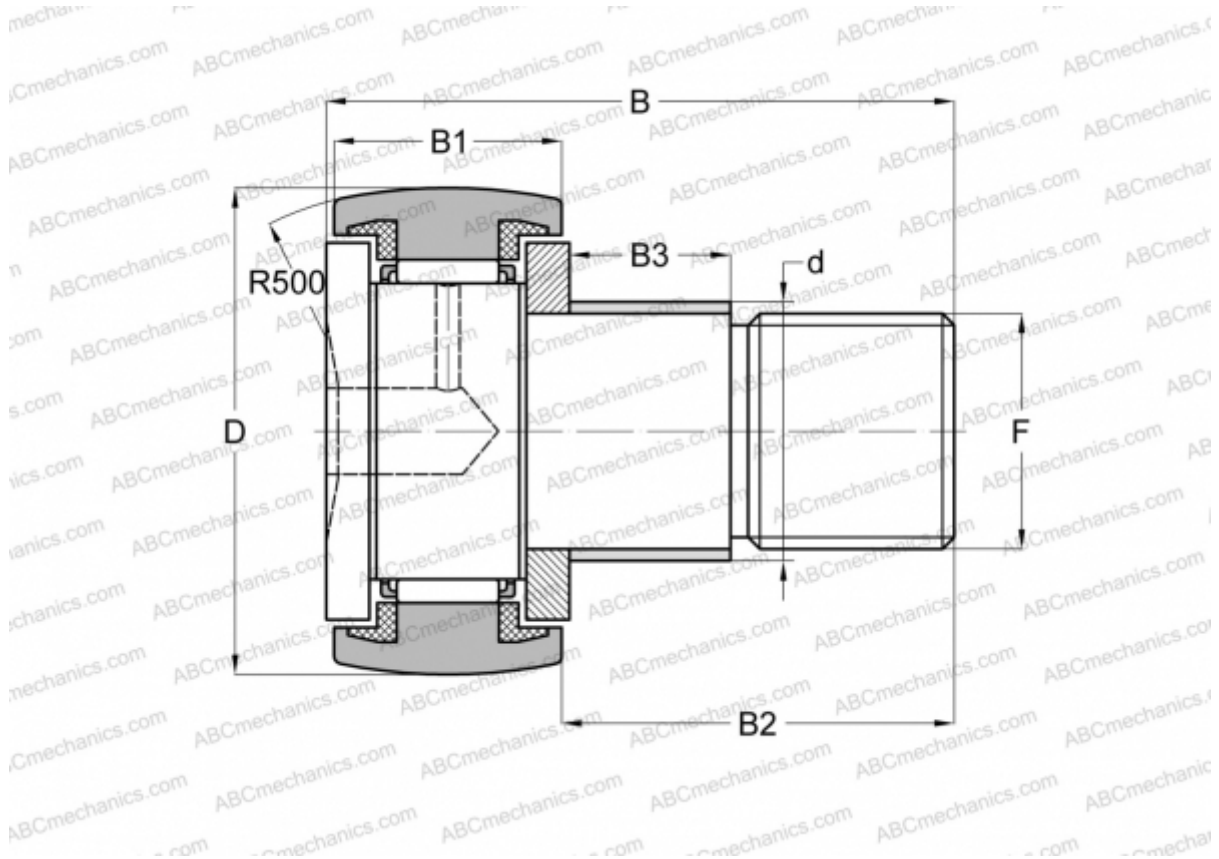


KRE 35 PPA SKF

Cam followers

TYPE: Roller bearings, Stud type track rollers, With axial guidance, with eccentric collar, sealing rings on both sides



Technical specification

DIMENSIONS, MM

d	20,000
D	35,000
B	52,000
B1	18,000
B2	32,500
F	M 16x1.5

WEIGHT, KG 0,177

MANUFACTURER [SKF](#)

INTERCHANGE

ABC	KRE 35 PP
INA	KRE 35 PPA

CALCULATION DATA

Basic dynamic load rating, C	9,520 kN
------------------------------	----------

CALCULATION DATA

Basic static load rating, Co	13,700 kN
Fatigue load limit, Pu	1,560 kN
Limiting speed	4000 r/min

REPLACES

KRE 35 PP