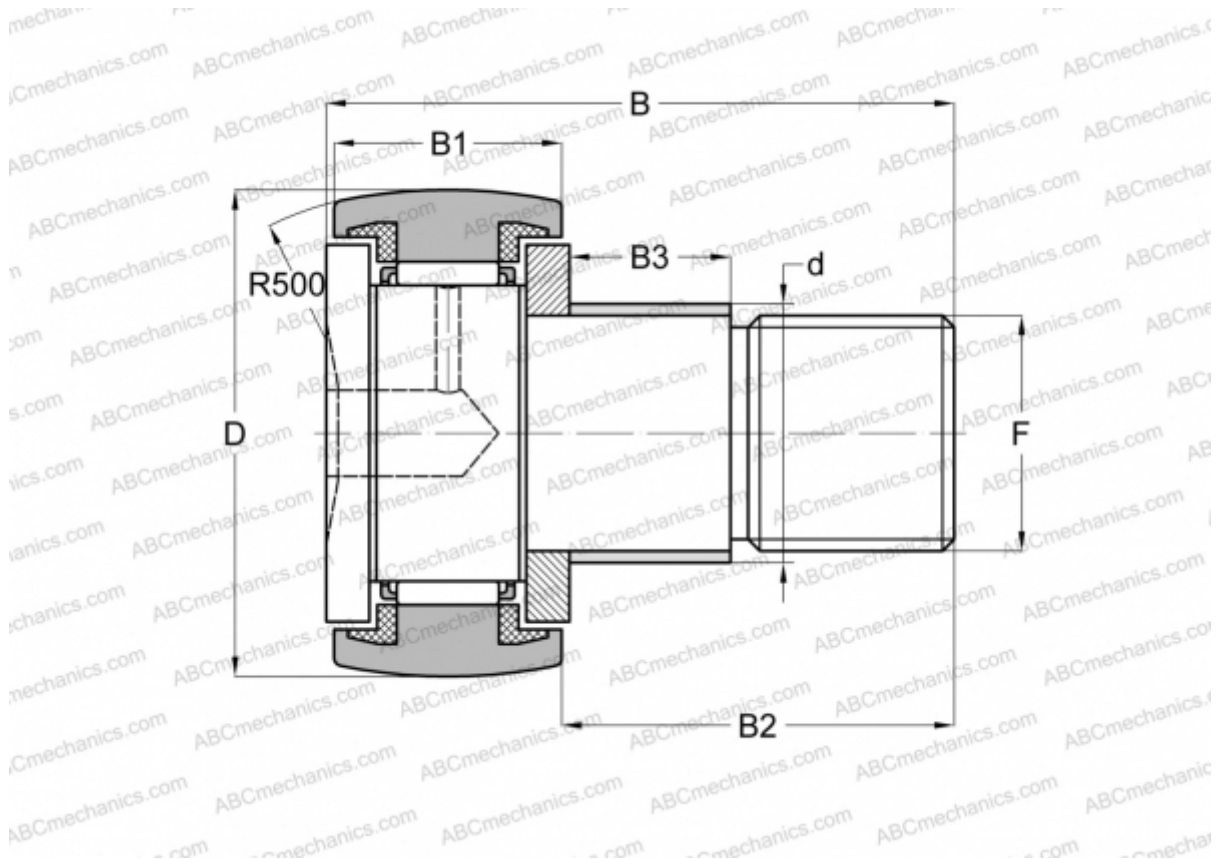


KRE 47 PPA SKF

Cam followers

TYPE: Roller bearings, Stud type track rollers, With axial guidance, with eccentric collar, sealing rings on both sides



Technical specification

DIMENSIONS, MM

| | |
|----|----------|
| d | 24,000 |
| D | 47,000 |
| B | 66,000 |
| B1 | 24,000 |
| B2 | 40,500 |
| F | M 20x1.5 |

WEIGHT, KG 0,400

MANUFACTURER [SKF](#)

INTERCHANGE

| | |
|-----|----------------------------|
| ABC | KRE 47 PP |
| INA | KRE 47 PPA |

CALCULATION DATA

| | |
|------------------------------|-----------|
| Basic dynamic load rating, C | 14,700 kN |
|------------------------------|-----------|

CALCULATION DATA

| | |
|------------------------------|------------|
| Basic static load rating, Co | 24,500 kN |
| Fatigue load limit, Pu | 2,900 kN |
| Limiting speed | 3000 r/min |

REPLACES

KRE 47 PP