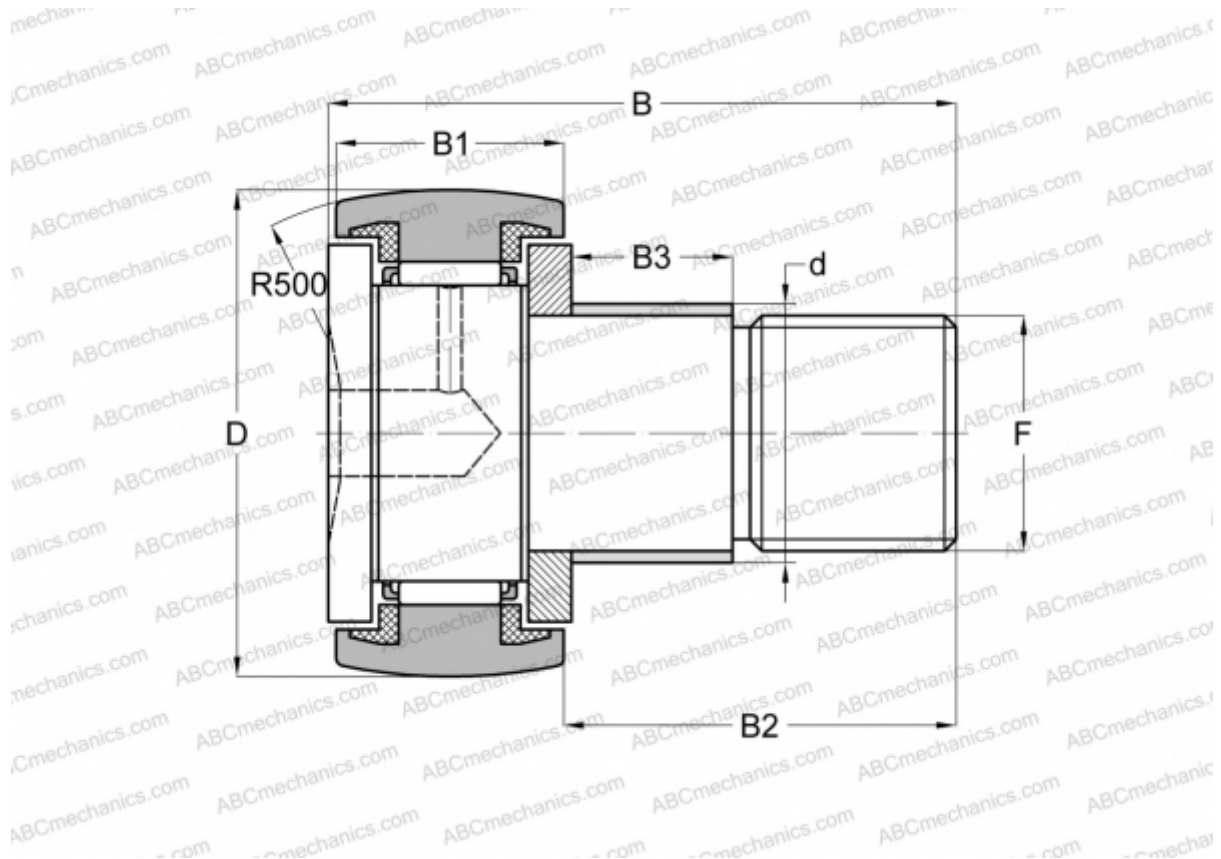


## KRE 72 PPA SKF

Cam followers

TYPE: Roller bearings, Stud type track rollers, With axial guidance, with eccentric collar, sealing rings on both sides



### Technical specification

#### DIMENSIONS, MM

d	28,000
D	72,000
B	80,000
B1	29,000
B2	49,500
F	M 24x1.5

**WEIGHT, KG** 1,038

**MANUFACTURER** [SKF](#)

#### INTERCHANGE

ABC	<a href="#">KRE 72 PP</a>
INA	<a href="#">KRE 72 PPA</a>

#### CALCULATION DATA

Basic dynamic load rating, C	26,000 kN
------------------------------	-----------

#### CALCULATION DATA

Basic static load rating, Co	48,000 kN
Fatigue load limit, Pu	6,000 kN
Limiting speed	2400 r/min

#### REPLACES

KRE 72 PP