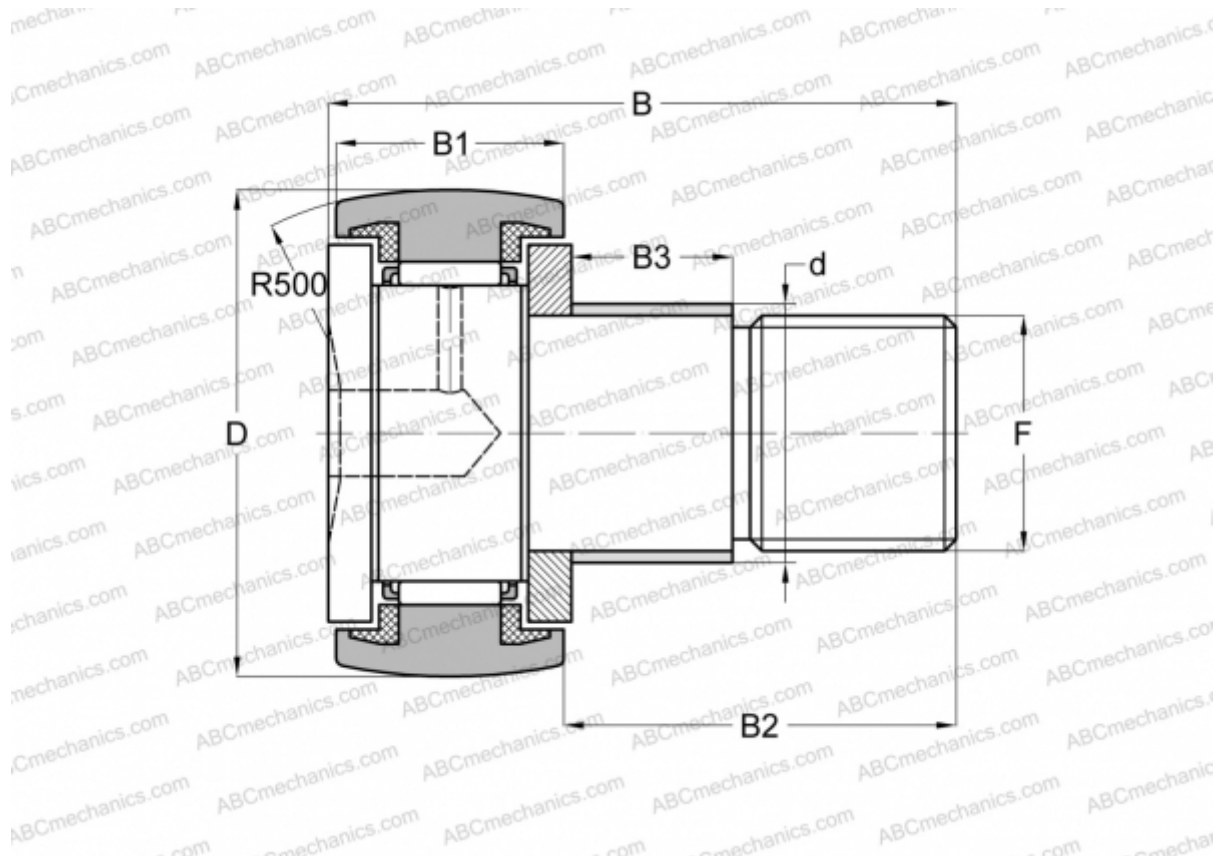


## CFE 30 R IKO

Cam followers

TYPE: Roller bearings, Stud type track rollers, With axial guidance, with eccentric collar, sealing rings on both sides



### Technical specification

#### DIMENSIONS, MM

d	41,000
D	80,000
B	100,000
B1	35,000
B2	63,000
F	M30x1.5

**WEIGHT, KG** 2,030

**MANUFACTURER** [IKO](http://www.iko.com)

#### CALCULATION DATA

Basic dynamic load rating, C	45,400 kN
Basic static load rating, Co	85,100 kN