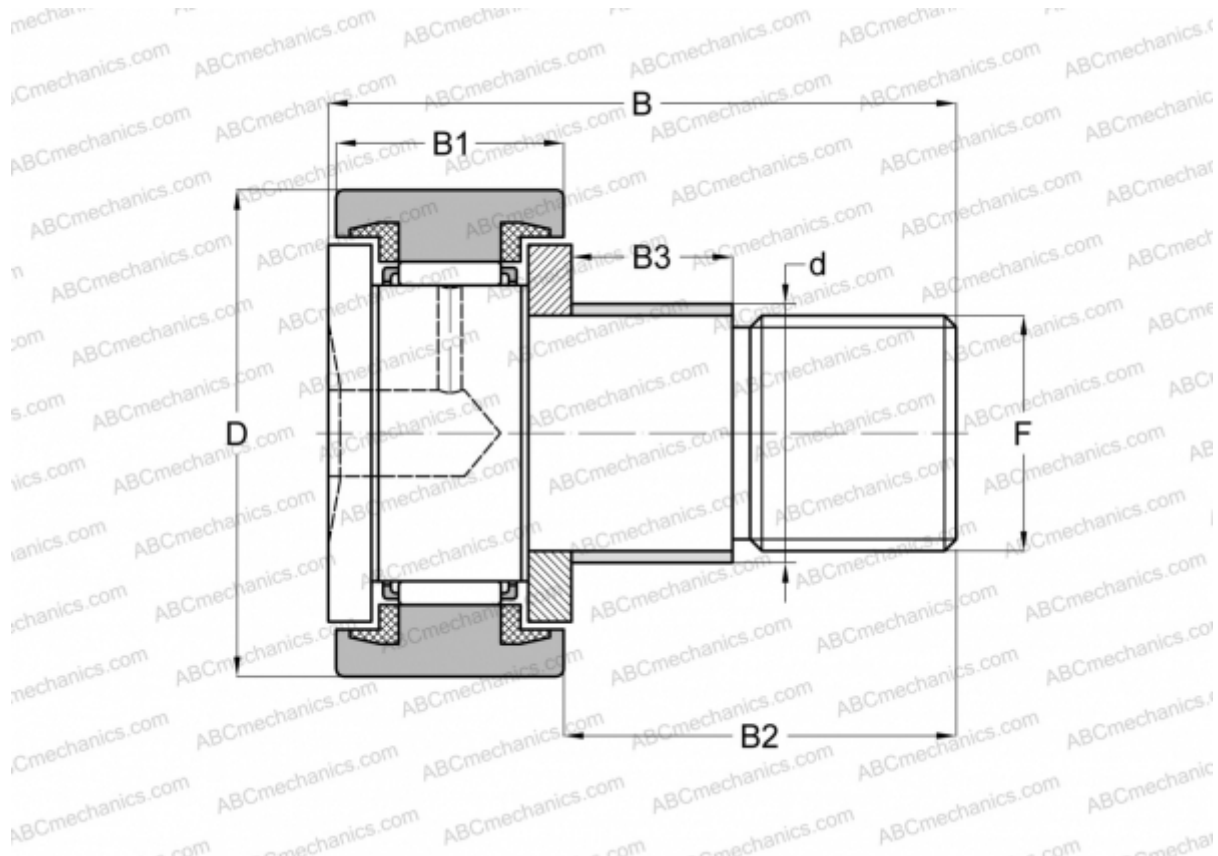


CFE 10-1 UU IKO

Cam followers

TYPE: Roller bearings, Stud type track rollers, With axial guidance, with eccentric collar, sealing rings on both sides, cylindrical outer ring



Technical specification

DIMENSIONS, MM

| | |
|----|----------|
| d | 13,000 |
| D | 26,000 |
| B | 36,200 |
| B1 | 12,000 |
| B2 | 23,000 |
| F | M10x1.25 |

WEIGHT, KG 0,065

MANUFACTURER [IKO](#)

CALCULATION DATA

| | |
|------------------------------|----------|
| Basic dynamic load rating, C | 5,430 kN |
| Basic static load rating, Co | 6,890 kN |