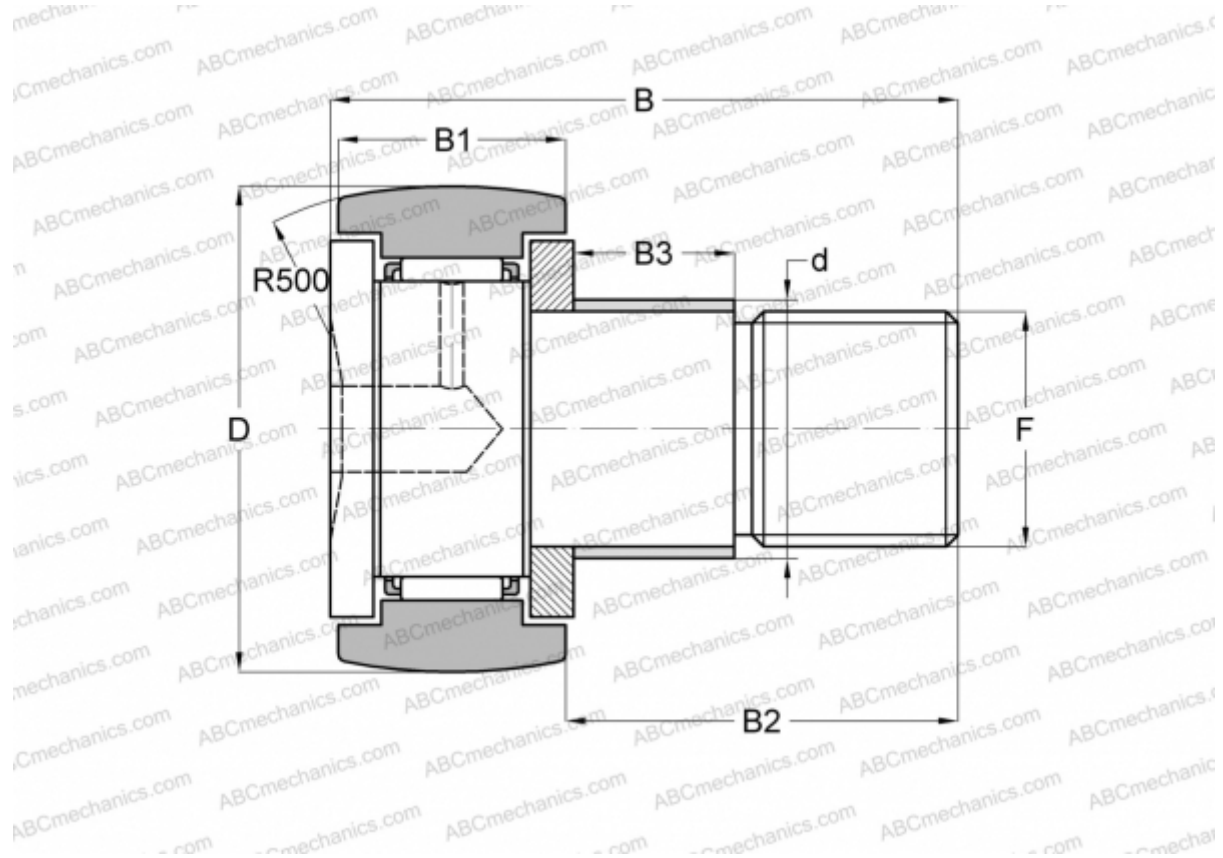


## CFE 8 BR IKO

Cam followers

TYPE: Roller bearings, Stud type track rollers, With axial guidance, with eccentric collar, hex socket



### Technical specification

#### DIMENSIONS, MM

d	11,000
D	19,000
B	32,200
B1	11,000
B2	20,000
F	M8x1.25

**WEIGHT, KG** 0,032

**MANUFACTURER** [IKO](#)

#### INTERCHANGE

ABC	<a href="#">CFE 8 BR</a>
INA	<a href="#">KRE 19 SK</a>

#### CALCULATION DATA

Basic dynamic load rating, C	4,250 kN
------------------------------	----------

#### CALCULATION DATA

Basic static load rating, Co	4,740 kN
------------------------------	----------