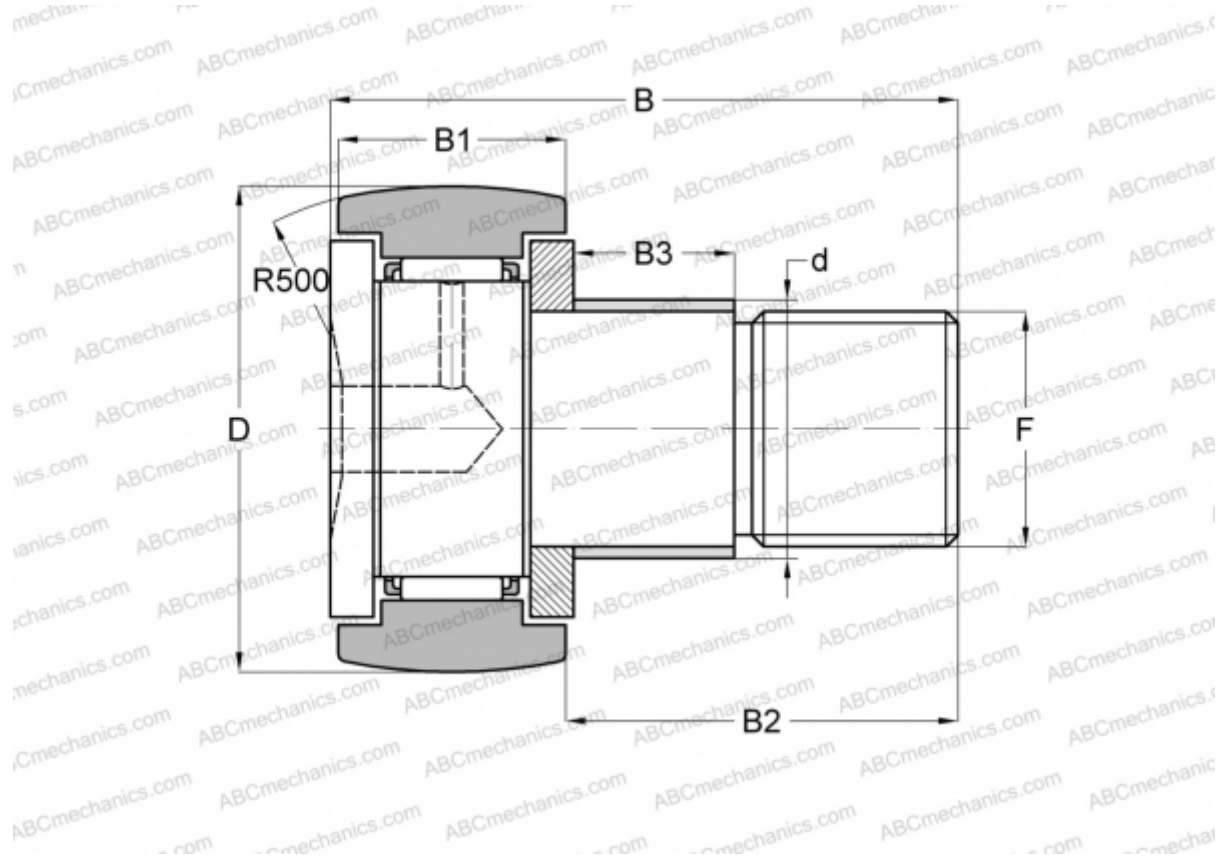


## CFE 30-1 BR IKO

Cam followers

TYPE: Roller bearings, Stud type track rollers, With axial guidance, with eccentric collar, hex socket



### Technical specification

#### DIMENSIONS, MM

d	41,000
D	85,000
B	100,000
B1	35,000
B2	63,000
F	M30x1.5

**WEIGHT, KG** 2,190

**MANUFACTURER** [IKO](#)

#### INTERCHANGE

ABC	<a href="#">CFE 30-1 BR</a>
-----	-----------------------------

#### CALCULATION DATA

Basic dynamic load rating, C	45,400 kN
Basic static load rating, Co	85,100 kN