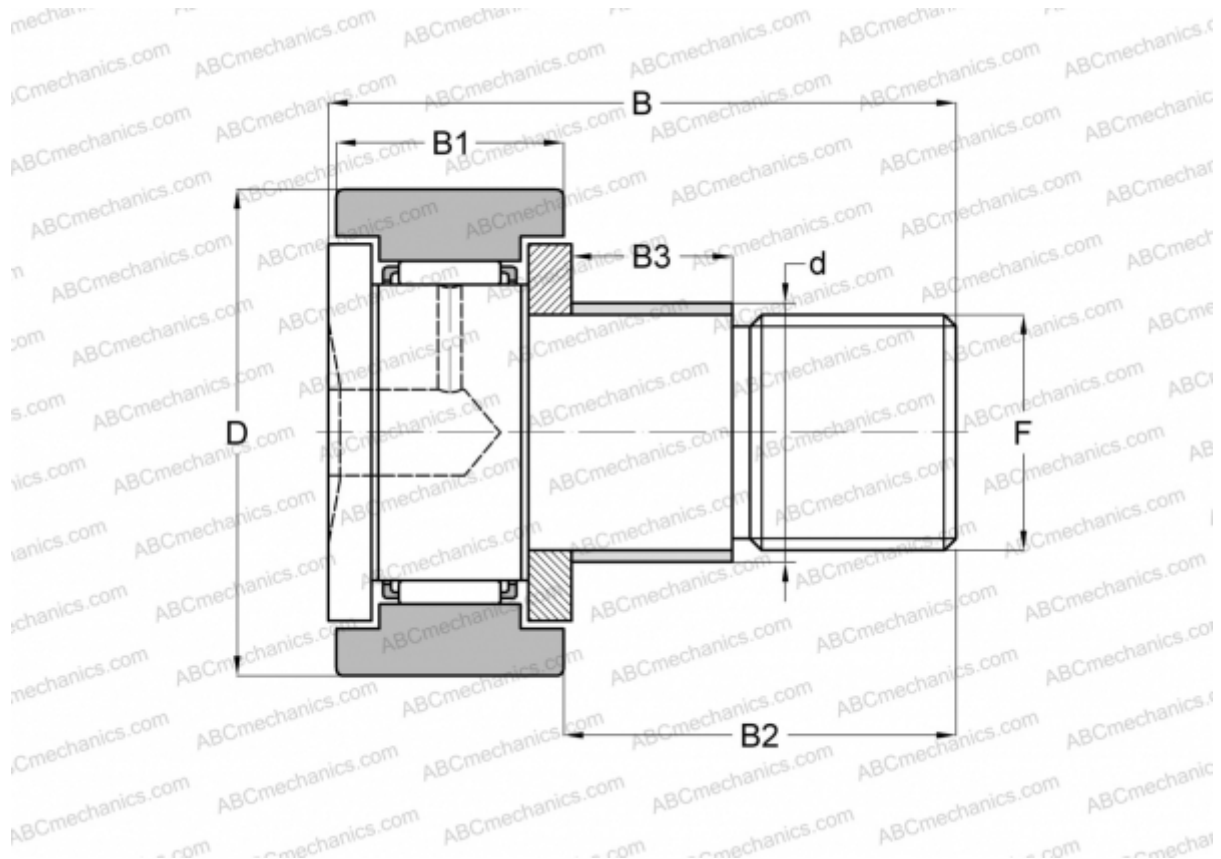


CFE 8 B IKO

Cam followers

TYPE: Roller bearings, Stud type track rollers, With axial guidance, with eccentric collar, cylindrical outer ring, hex socket



Technical specification

DIMENSIONS, MM

| | |
|----|---------|
| d | 11,000 |
| D | 19,000 |
| B | 32,200 |
| B1 | 11,000 |
| B2 | 20,000 |
| F | M8x1.25 |

WEIGHT, KG 0,032

MANUFACTURER [IKO](#)

INTERCHANGE

| | |
|-----|----------------------------|
| ABC | CFE 8 B |
| INA | KRE 19 XSK |

CALCULATION DATA

| | |
|------------------------------|----------|
| Basic dynamic load rating, C | 4,250 kN |
|------------------------------|----------|

CALCULATION DATA

| | |
|------------------------------|----------|
| Basic static load rating, Co | 4,740 kN |
|------------------------------|----------|