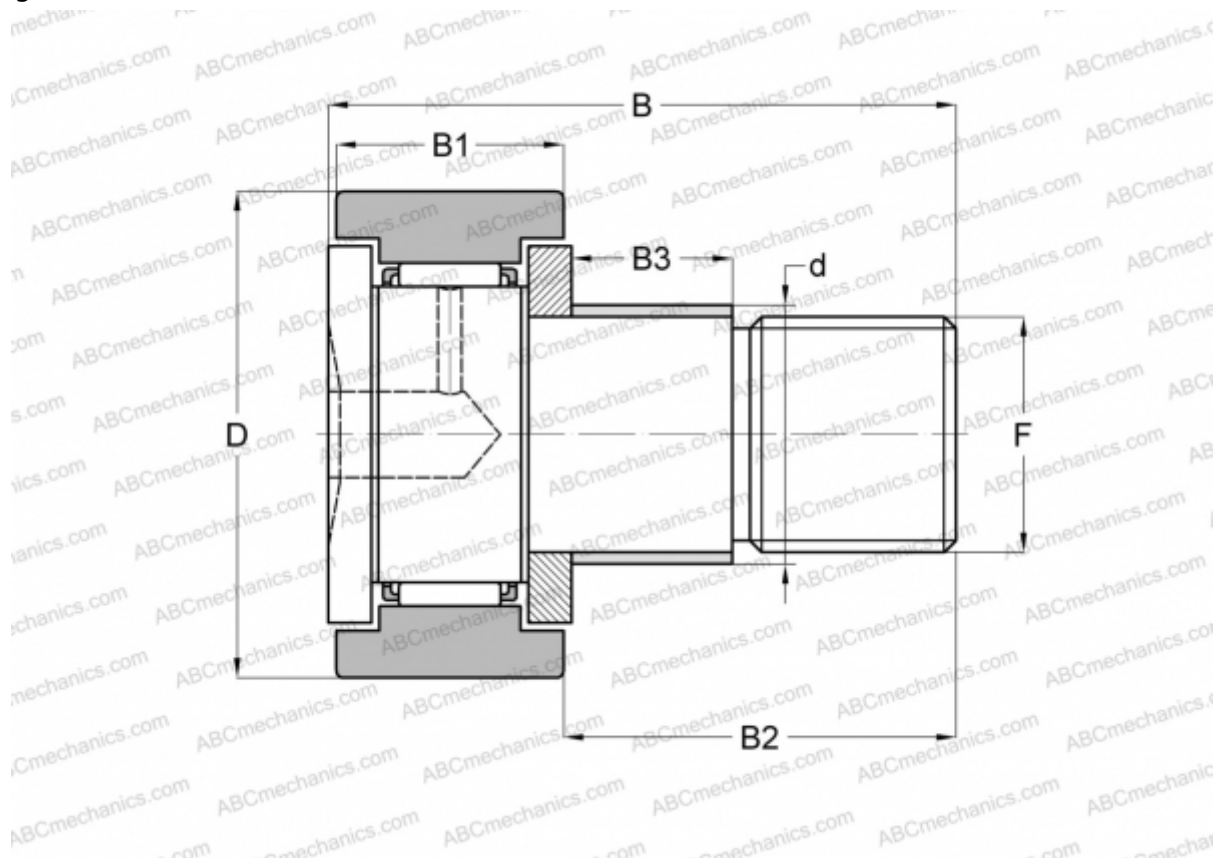


CFE 10 BM ABC

Cam followers

TYPE: Roller bearings, Stud type track rollers, With axial guidance, with eccentric collar, cylindrical outer ring, hex socket



Technical specification

DIMENSIONS, MM

d	13,000
D	22,000
B	36,200
B1	12,000
B2	23,000
F	M10x1

WEIGHT, KG 0,050

MANUFACTURER [ABC](#)

INTERCHANGE

IKO	CFE 10 BM
INA	KRE 22 XSK