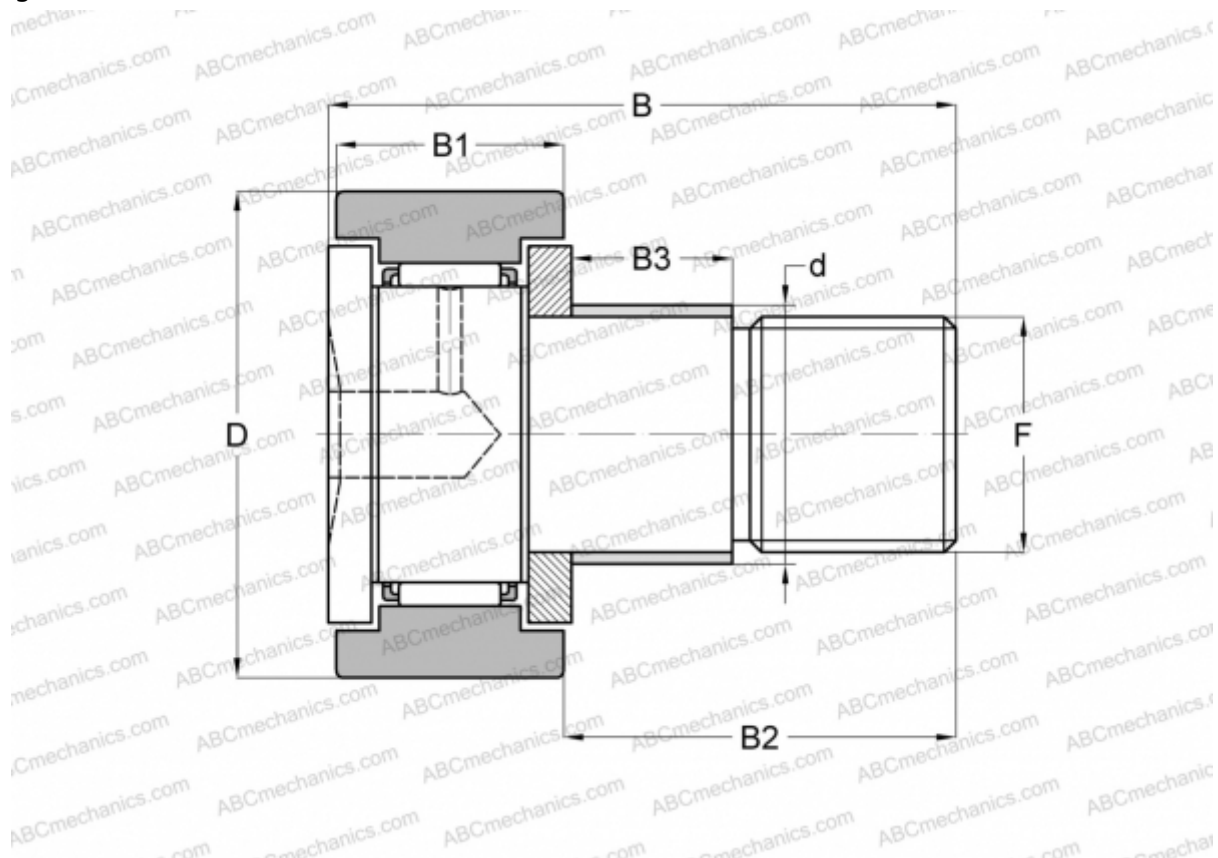


KRE 26 XSK INA

Cam followers

TYPE: Roller bearings, Stud type track rollers, With axial guidance, with eccentric collar, cylindrical outer ring, hex socket



Technical specification

DIMENSIONS, MM

d	13,000
D	26,000
B	36,200
B1	12,000
B2	23,000
F	M10x1

WEIGHT, KG 0,065

MANUFACTURER [INA](#)

INTERCHANGE

ABC	CFE 10-1 BM
IKO	CFE 10-1 BM