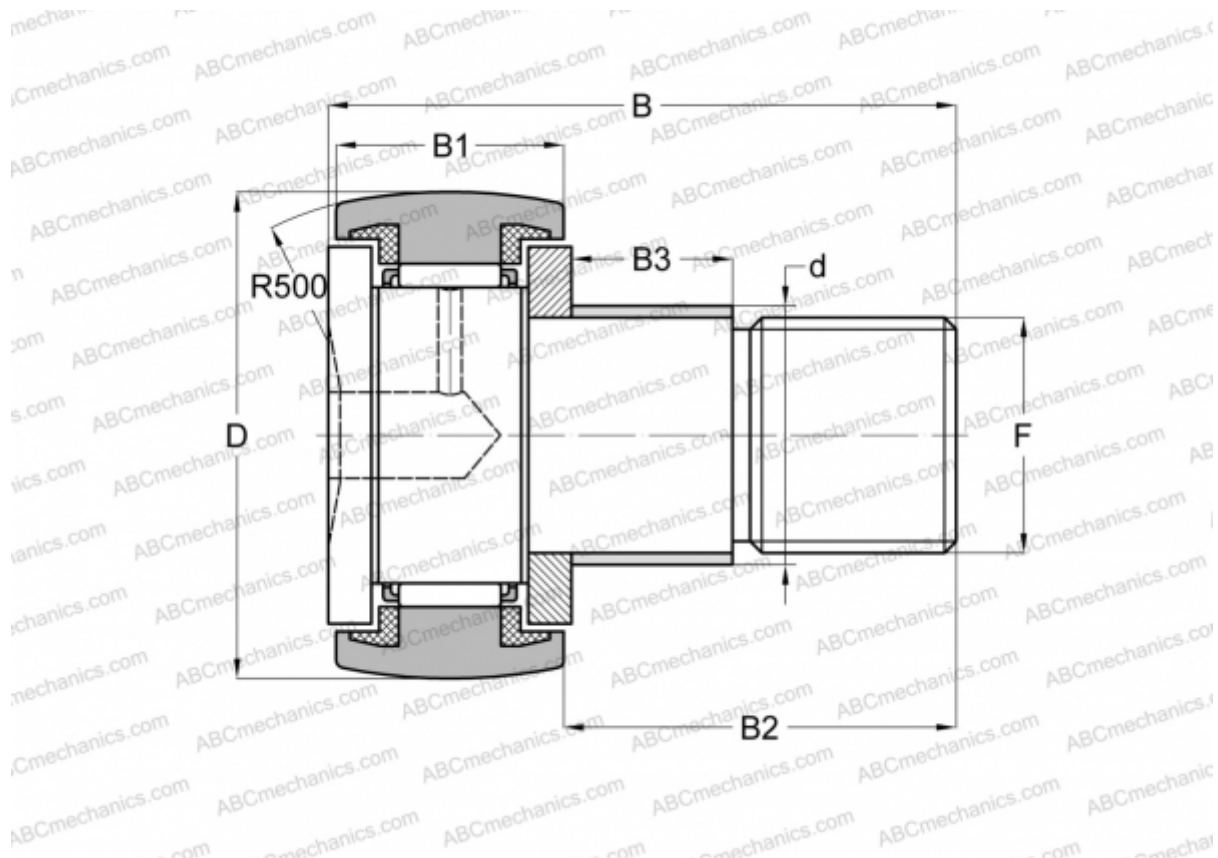


## KRE 19 PPSK INA

Cam followers

TYPE: Roller bearings, Stud type track rollers, With axial guidance, with eccentric collar, sealing rings on both sides, hex socket



### Technical specification

#### DIMENSIONS, MM

d	11,000
D	19,000
B	32,200
B1	11,000
B2	20,000
F	M8x1.25

**WEIGHT, KG** 0,032

**MANUFACTURER** [INA](#)

#### INTERCHANGE

ABC	<a href="#">CFE 8 BUUR</a>
IKO	<a href="#">CFE 8 BUUR</a>