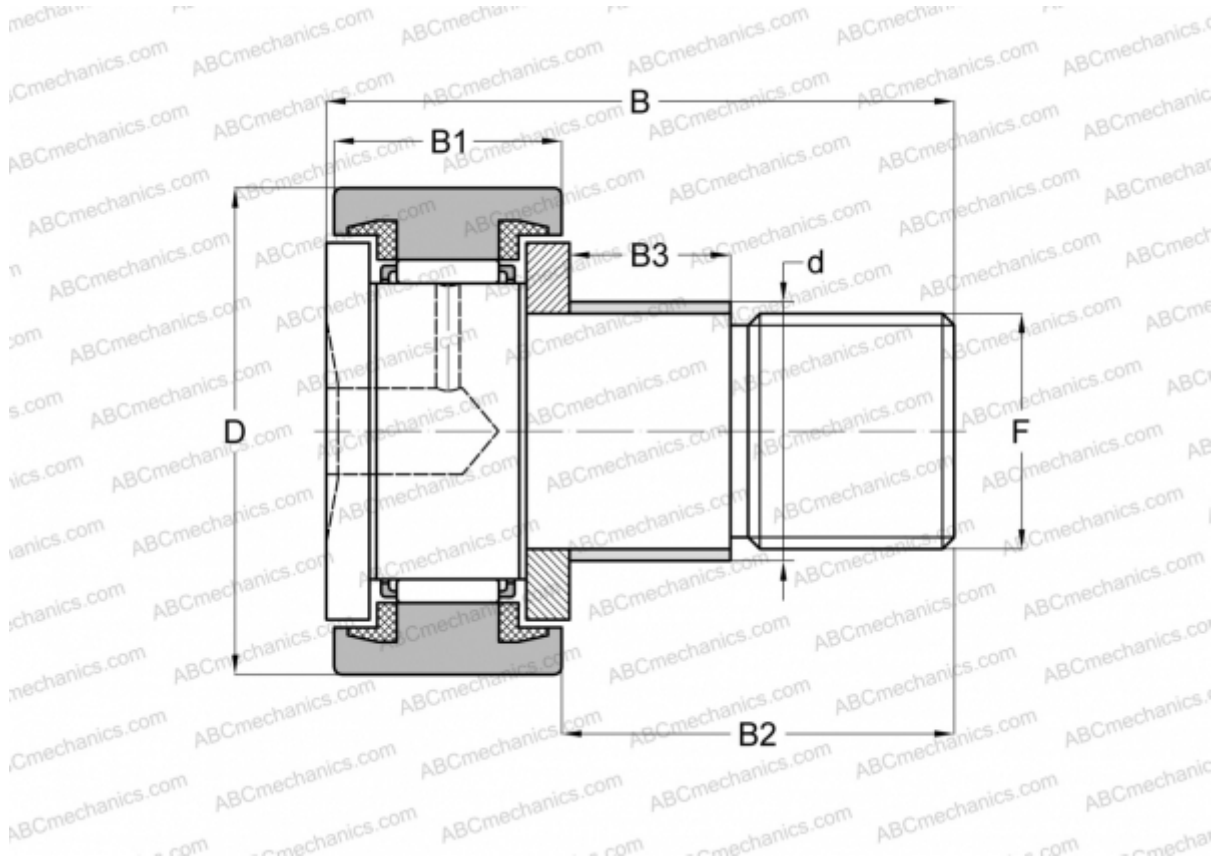


CFE 6 BUU IKO

Cam followers

TYPE: Roller bearings, Stud type track rollers, With axial guidance, with eccentric collar, sealing rings on both sides, cylindrical outer ring, hex socket



Technical specification

DIMENSIONS, MM

d	9,000
D	16,000
B	28,200
B1	11,000
B2	16,000
F	M6x1

WEIGHT, KG 0,021

MANUFACTURER [IKO](#)

INTERCHANGE

ABC	CFE 6 BUU
INA	KRE 16 PPXSK

CALCULATION DATA

Basic dynamic load rating, C	3,660 kN
------------------------------	----------

CALCULATION DATA

Basic static load rating, Co	3,650 kN
------------------------------	----------