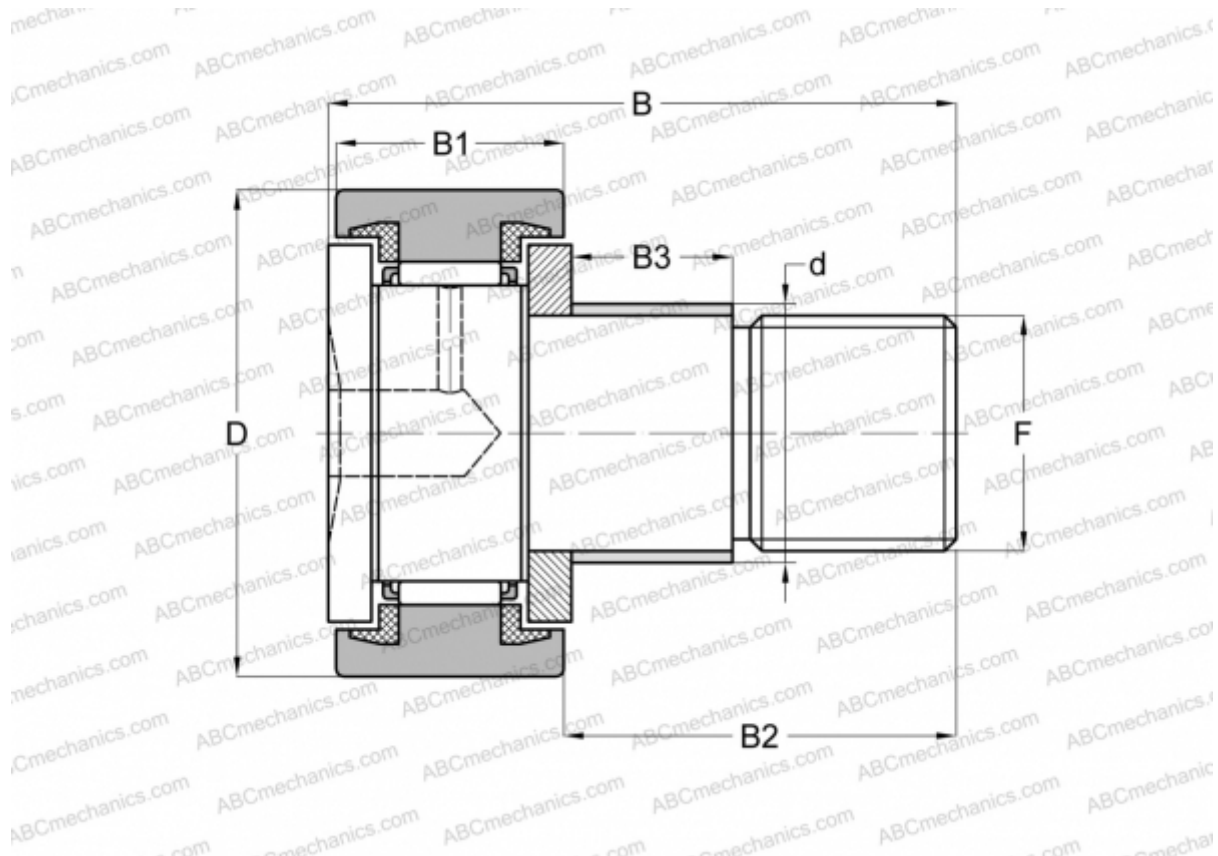


## KRE 22 PPXSK INA

Cam followers

TYPE: Roller bearings, Stud type track rollers, With axial guidance, with eccentric collar, sealing rings on both sides, cylindrical outer ring, hex socket



### Technical specification

#### DIMENSIONS, MM

d	13,000
D	22,000
B	36,200
B1	12,000
B2	23,000
F	M10x1

**WEIGHT, KG** 0,050

**MANUFACTURER** [INA](#)

#### INTERCHANGE

ABC	<a href="#">CFE 10 BUUM</a>
IKO	<a href="#">CFE 10 BUUM</a>