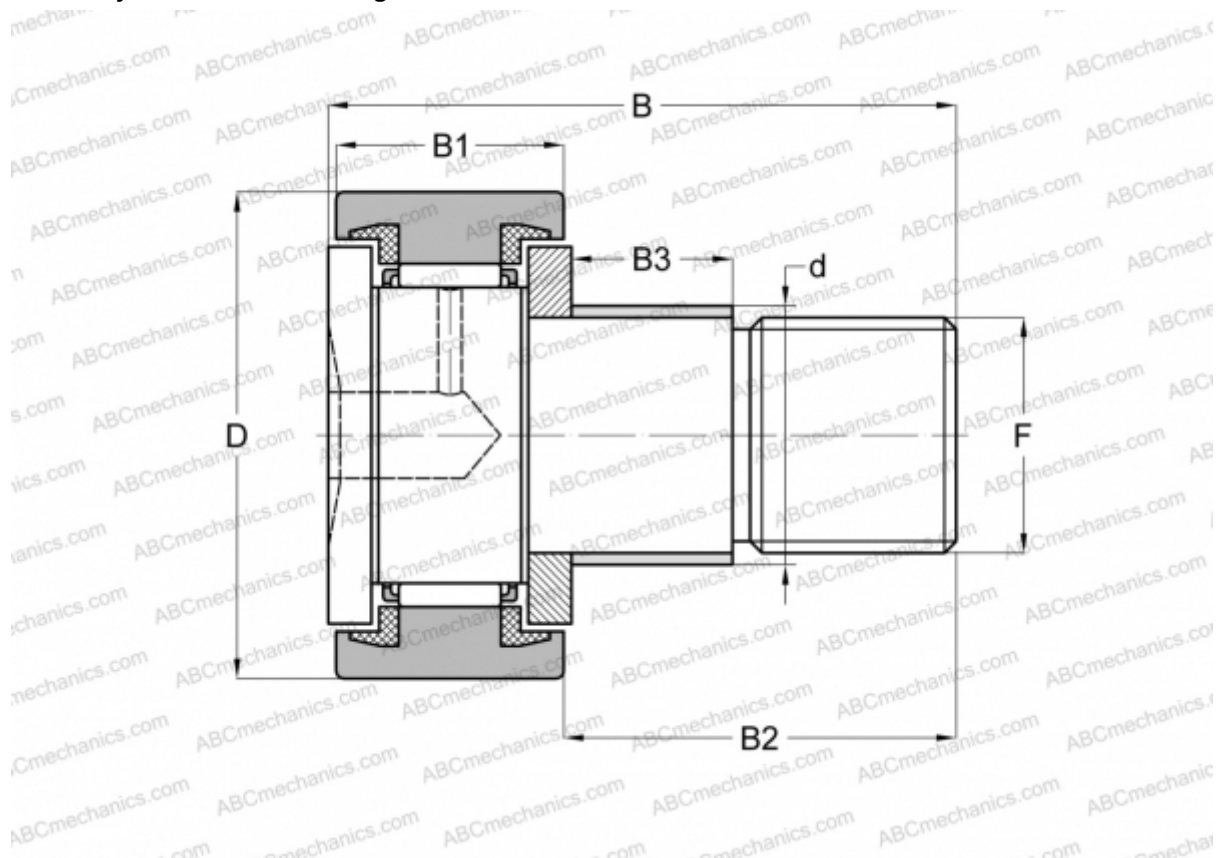


CFE 12 BUU ABC

Cam followers

TYPE: Roller bearings, Stud type track rollers, With axial guidance, with eccentric collar, sealing rings on both sides, cylindrical outer ring, hex socket



Technical specification

DIMENSIONS, MM

| | |
|----|---------|
| d | 16,000 |
| D | 30,000 |
| B | 40,200 |
| B1 | 14,000 |
| B2 | 25,000 |
| F | M12x1.5 |

WEIGHT, KG 0,105

MANUFACTURER [ABC](#)

INTERCHANGE

IKO [CFE 12 BUU](#)