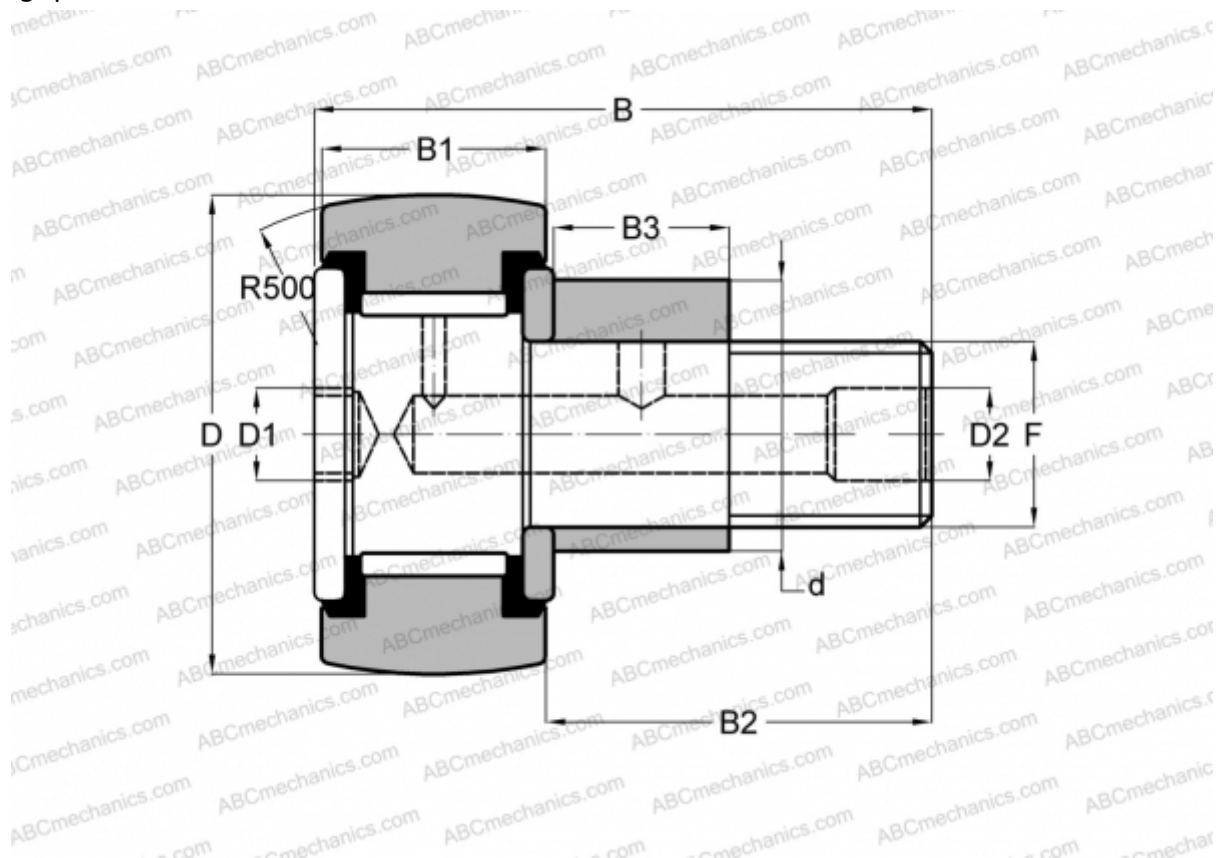


CFE 6 VR ABC

Cam followers

TYPE: Roller bearings, Stud type track rollers, With axial guidance, eccentric stud, full complement bearing, gap seal on both side



Technical specification

DIMENSIONS, MM

| | |
|----|--------|
| d | 9,000 |
| D | 16,000 |
| B | 28,200 |
| B1 | 11,000 |
| B2 | 16,000 |
| F | M6x1 |

WEIGHT, KG 0,021

MANUFACTURER [ABC](#)

INTERCHANGE

| | |
|-----|--------------------------|
| IKO | CFE 6 VR |
| SKF | KRVE 16 |