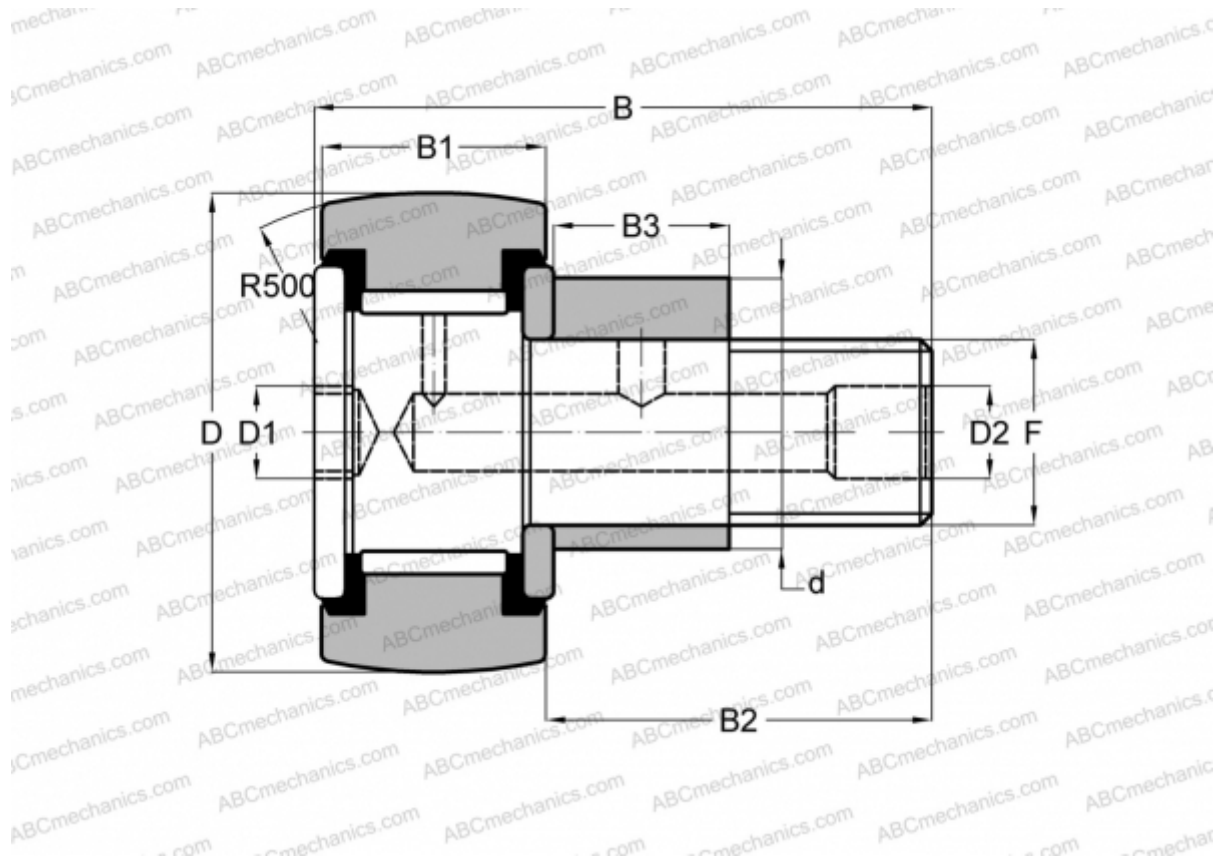


CFE 6 VR IKO

Cam followers

TYPE: Roller bearings, Stud type track rollers, With axial guidance, eccentric stud, full complement bearing, gap seal on both side



Technical specification

DIMENSIONS, MM

d	9,000
D	16,000
B	28,200
B1	11,000
B2	16,000
F	M6x1

WEIGHT, KG 0,021

MANUFACTURER [IKO](#)

INTERCHANGE

ABC	CFE 6 VR
SKF	KRVE 16

CALCULATION DATA

Basic dynamic load rating, C	6,980 kN
------------------------------	----------

CALCULATION DATA

Basic static load rating, Co	8,500 kN
------------------------------	----------