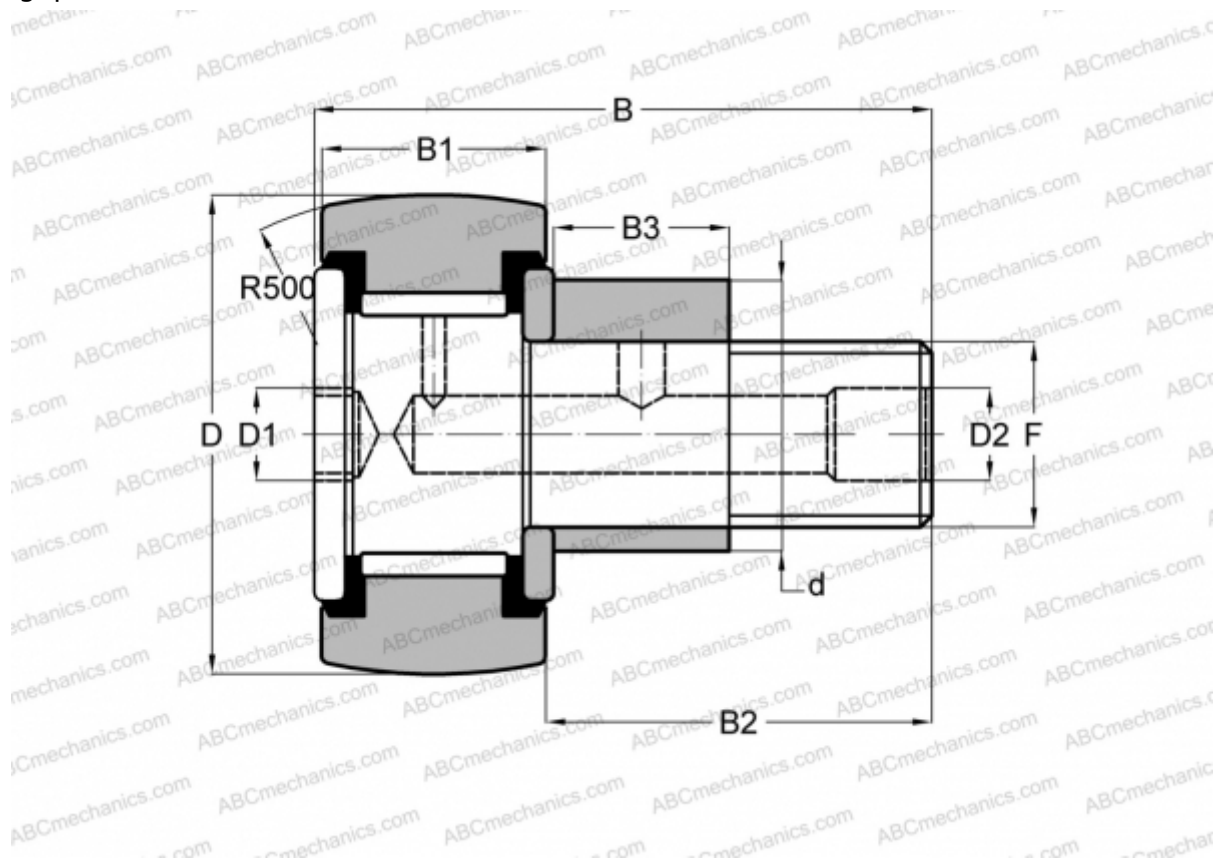


## KRVE 16 SKF

Cam followers

TYPE: Roller bearings, Stud type track rollers, With axial guidance, eccentric stud, full complement bearing, gap seal on both side



### Technical specification

#### DIMENSIONS, MM

d	9,000
D	16,000
B	28,200
B1	11,000
B2	16,000
F	M6x1

**WEIGHT, KG** 0,021

**MANUFACTURER** [SKF](#)

#### INTERCHANGE

ABC	<a href="#">CFE 6 VR</a>
IKO	<a href="#">CFE 6 VR</a>