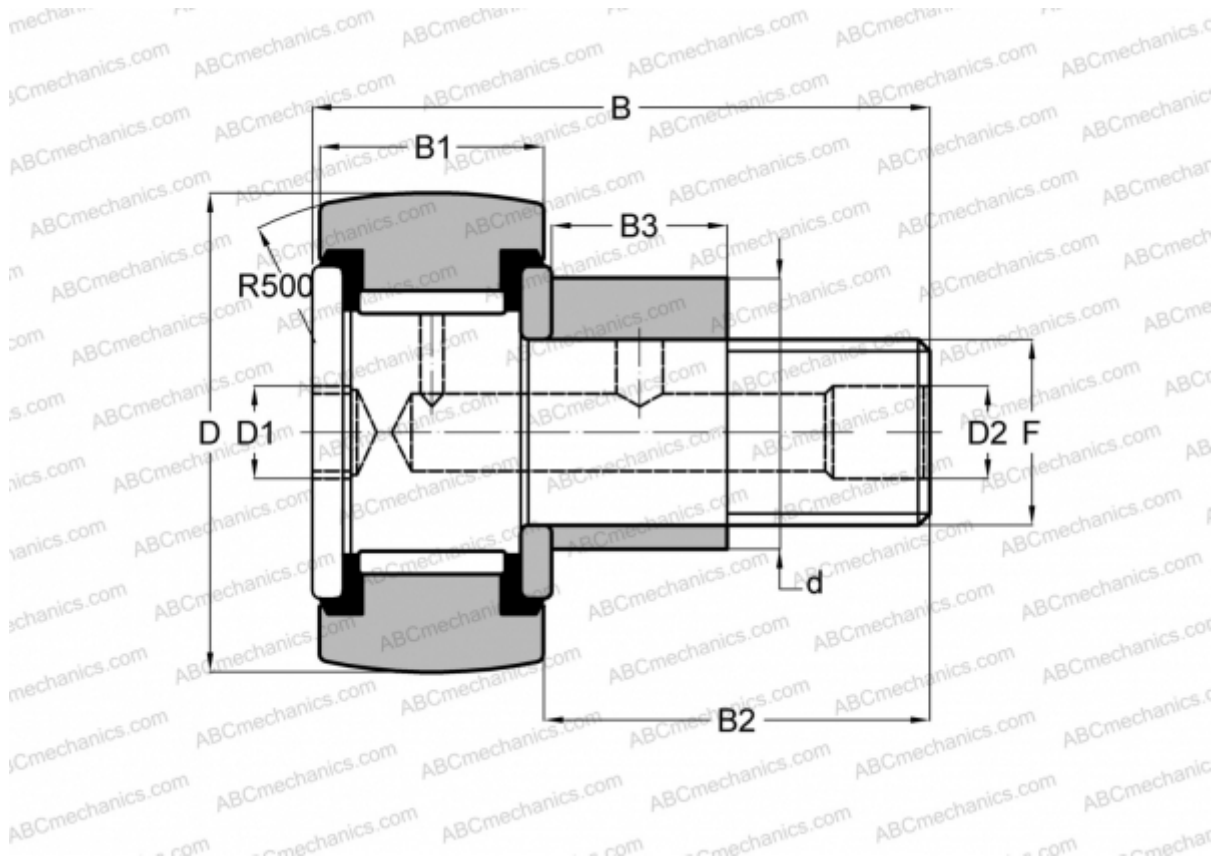


CFE 8 VR IKO

Cam followers

TYPE: Roller bearings, Stud type track rollers, With axial guidance, eccentric stud, full complement bearing, gap seal on both side



Technical specification

DIMENSIONS, MM

| | |
|----|---------|
| d | 11,000 |
| D | 19,000 |
| B | 32,200 |
| B1 | 11,000 |
| B2 | 20,000 |
| F | M8x1.25 |

WEIGHT, KG 0,033

MANUFACTURER [IKO](#)

INTERCHANGE

| | |
|-----|--------------------------|
| ABC | CFE 8 VR |
| SKF | KRVE 19 |

CALCULATION DATA

| | |
|------------------------------|----------|
| Basic dynamic load rating, C | 8,170 kN |
|------------------------------|----------|

CALCULATION DATA

| | |
|------------------------------|-----------|
| Basic static load rating, Co | 11,200 kN |
|------------------------------|-----------|