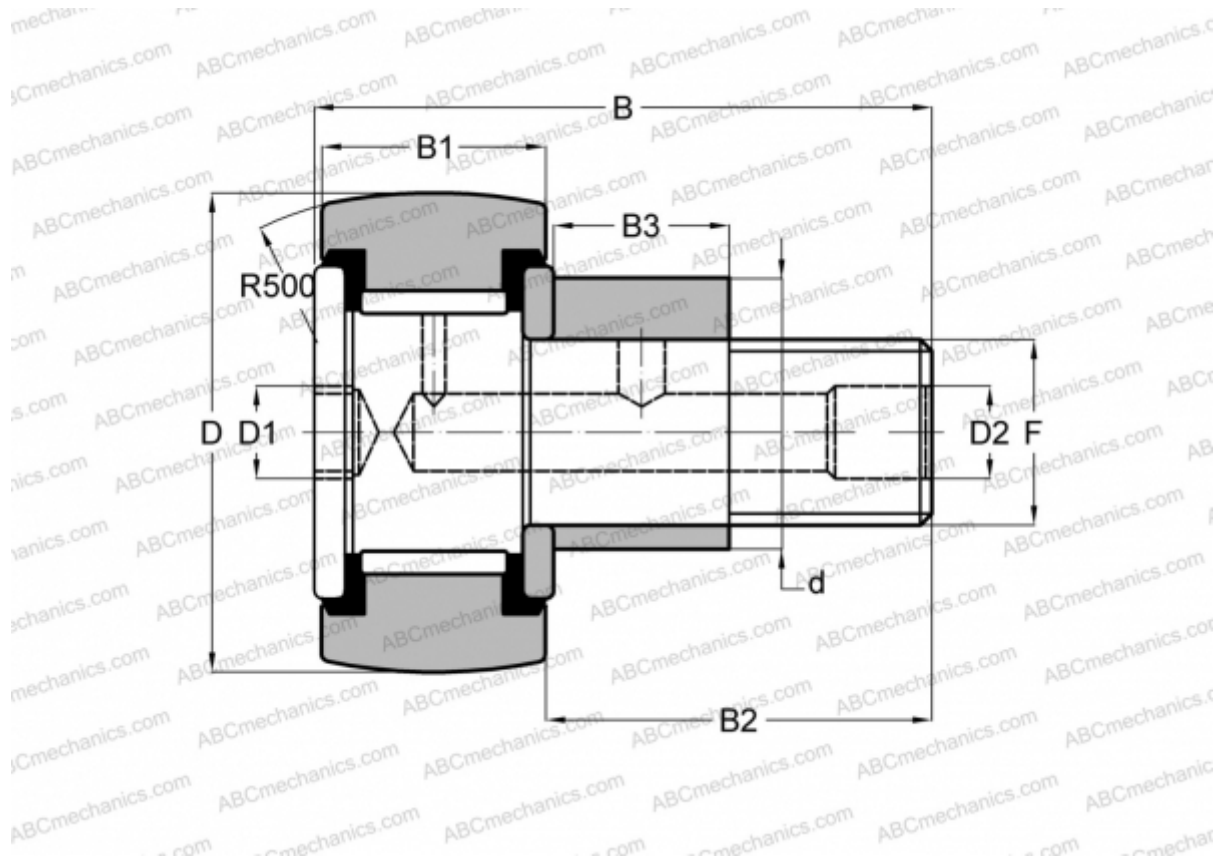


## CFE 10 VRM IKO

Cam followers

TYPE: Roller bearings, Stud type track rollers, With axial guidance, eccentric stud, full complement bearing, gap seal on both side



### Technical specification

#### DIMENSIONS, MM

d	13,000
D	22,000
B	36,200
B1	12,000
B2	23,000
F	M10x1

#### CALCULATION DATA

Basic static load rating, Co	14,500 kN
------------------------------	-----------

**WEIGHT, KG** 0,051

**MANUFACTURER** [IKO](#)

#### INTERCHANGE

ABC	<a href="#">CFE 10 VRM</a>
SKF	<a href="#">KRVE 22</a>

#### CALCULATION DATA

Basic dynamic load rating, C	9,570 kN
------------------------------	----------