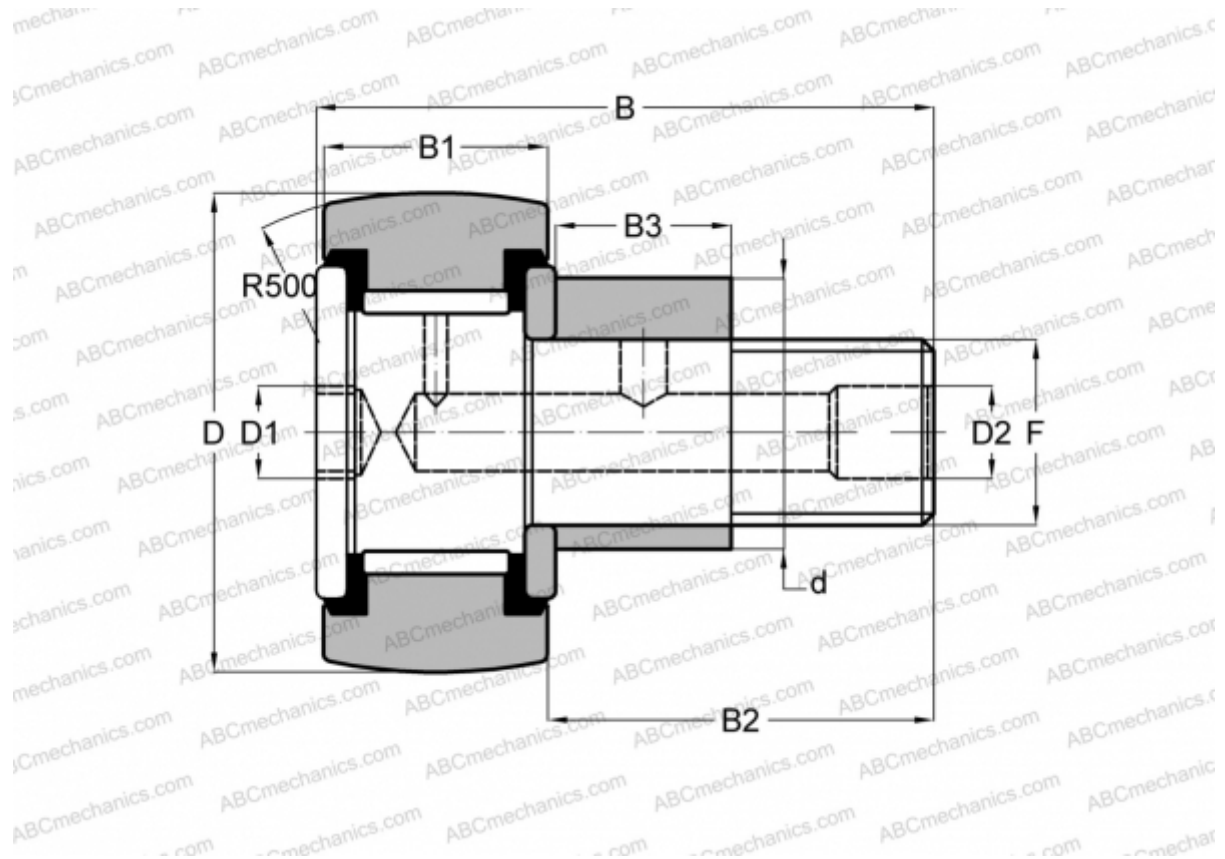


## CFE 20 VR IKO

Cam followers

TYPE: Roller bearings, Stud type track rollers, With axial guidance, eccentric stud, full complement bearing, gap seal on both side



### Technical specification

#### DIMENSIONS, MM

d	27,000
D	52,000
B	66,100
B1	24,000
B2	40,500
F	M20x1.5

**WEIGHT, KG** 0,505

**MANUFACTURER** [IKO](#)

#### INTERCHANGE

ABC [CFE 20 VR](#)

#### CALCULATION DATA

Basic dynamic load rating, C	33,200 kN
Basic static load rating, Co	64,500 kN