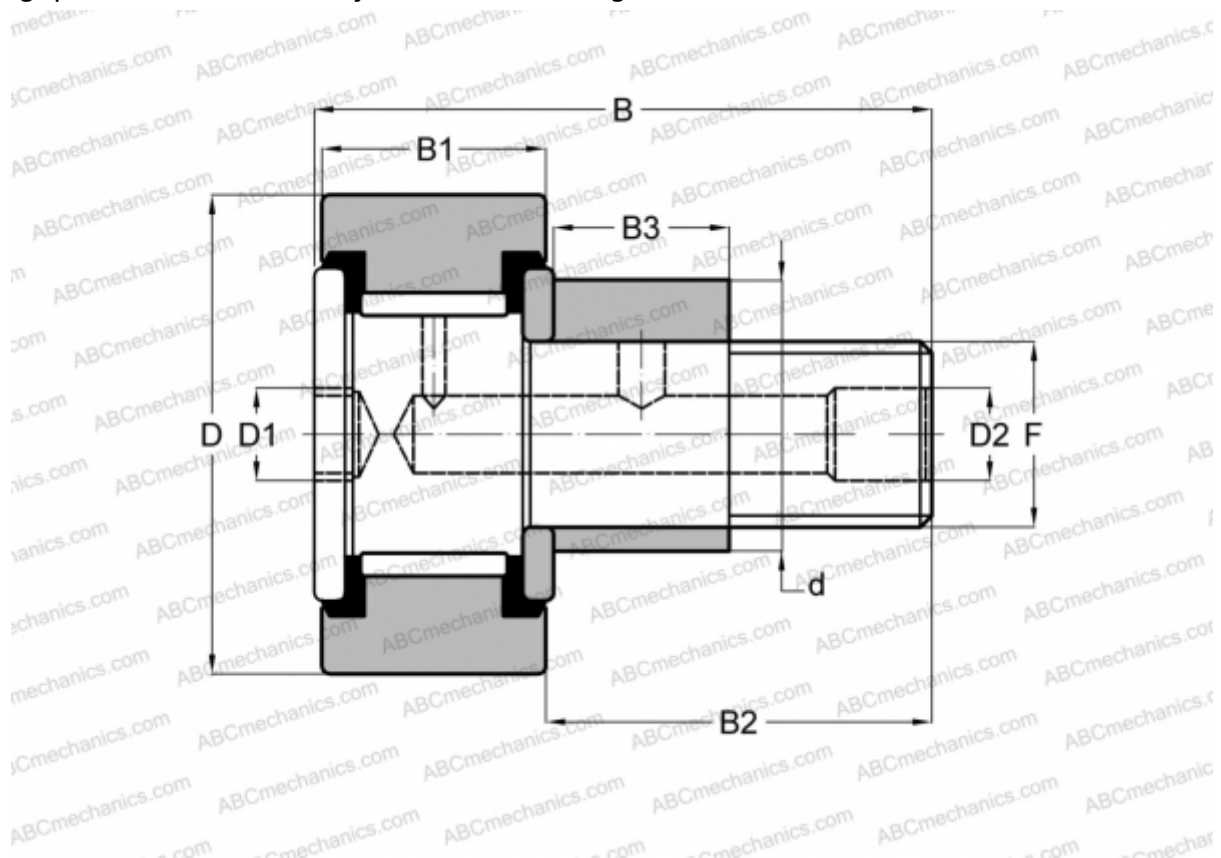


CFE 10 VM ABC

Cam followers

TYPE: Roller bearings, Stud type track rollers, With axial guidance, eccentric stud, full complement bearing, gap seal on both side, cylindrical outer ring



Technical specification

DIMENSIONS, MM

| | |
|----|--------|
| d | 13,000 |
| D | 22,000 |
| B | 36,200 |
| B1 | 12,000 |
| B2 | 23,000 |
| F | M10x1 |

WEIGHT, KG 0,051

MANUFACTURER [ABC](#)

INTERCHANGE

| | |
|-----|---------------------------|
| IKO | CFE 10 VM |
| SKF | KRVE 22 X |