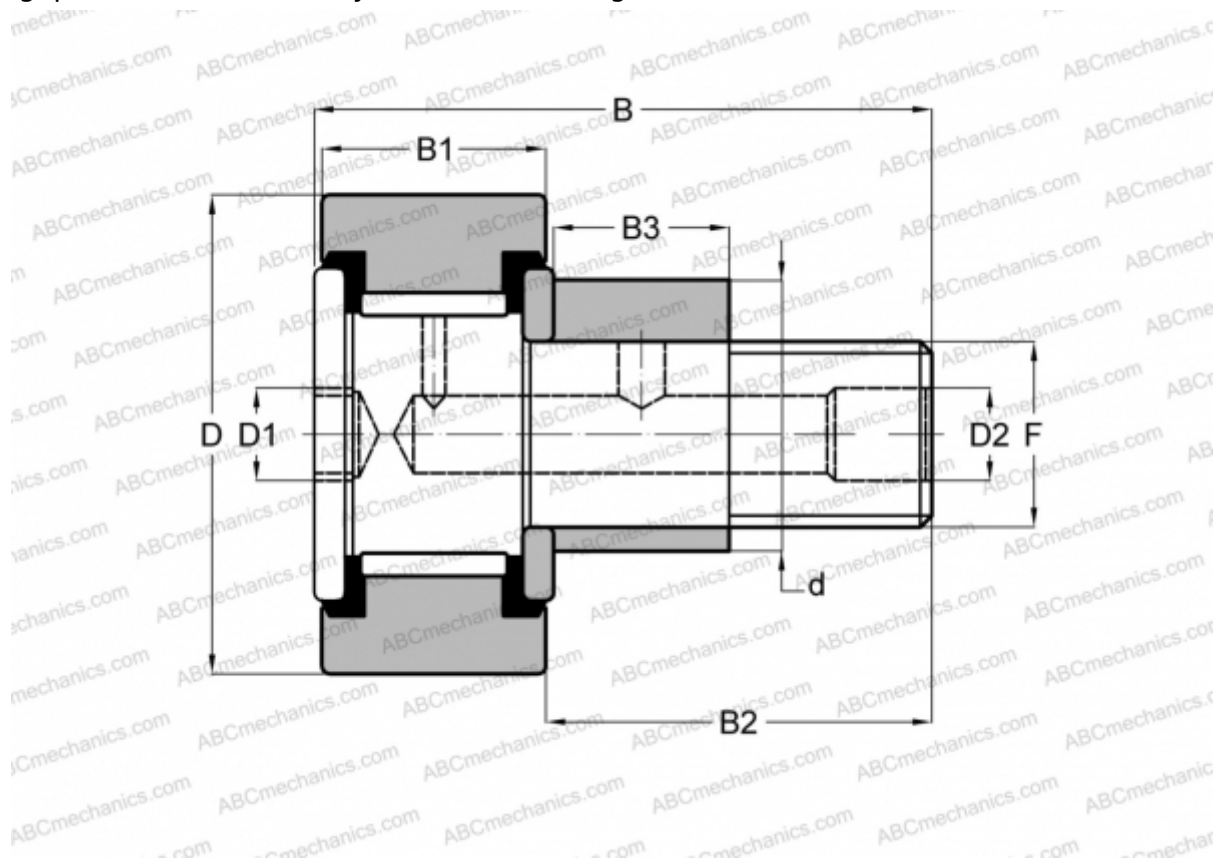


## KRVE 26 X SKF

Cam followers

TYPE: Roller bearings, Stud type track rollers, With axial guidance, eccentric stud, full complement bearing, gap seal on both side, cylindrical outer ring



### Technical specification

#### DIMENSIONS, MM

d	13,000
D	26,000
B	36,200
B1	12,000
B2	23,000
F	M10x1

**WEIGHT, KG** 0,066

**MANUFACTURER** [SKF](#)

#### INTERCHANGE

ABC	<a href="#">CFE 10-1 VM</a>
IKO	<a href="#">CFE 10-1 VM</a>