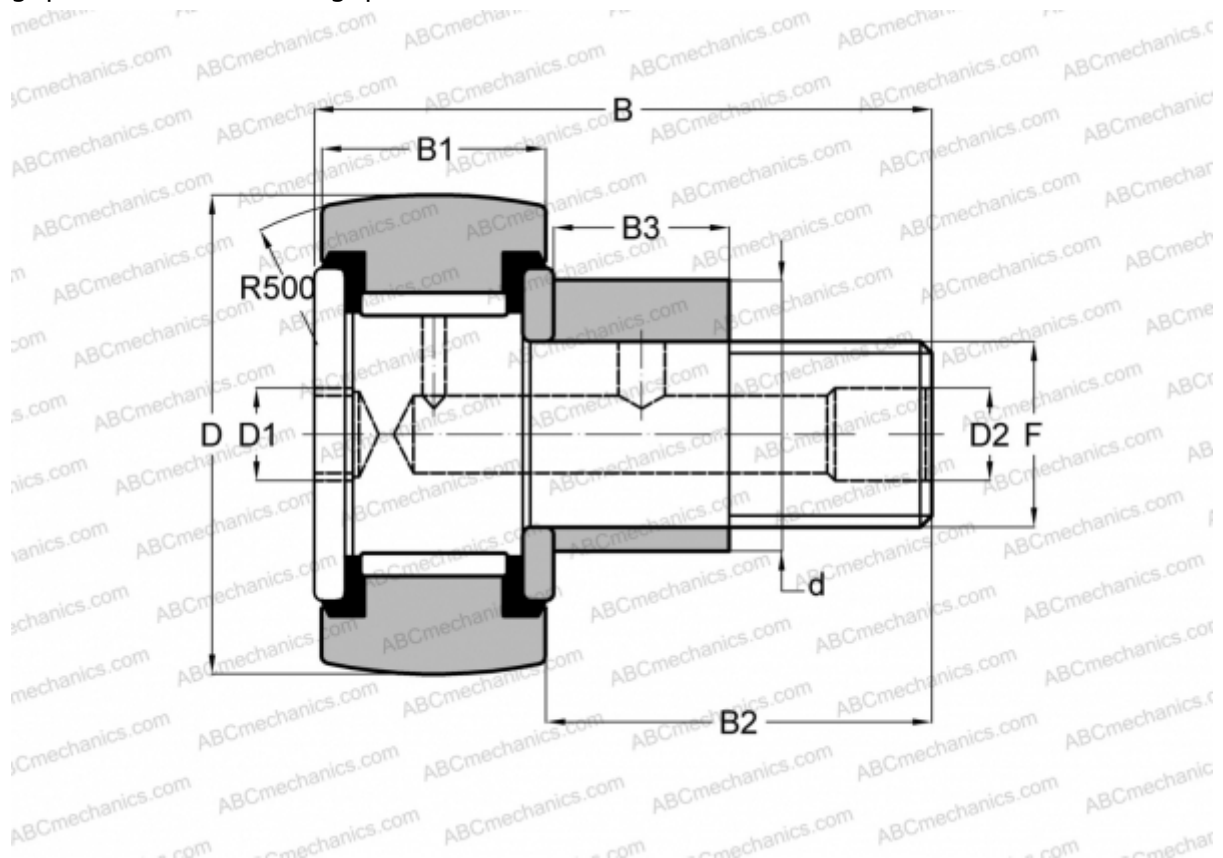


CFE 8 VUUR IKO

Cam followers

TYPE: Roller bearings, Stud type track rollers, With axial guidance, eccentric stud, full complement bearing, gap seal on both side, gap seal on both side



Technical specification

DIMENSIONS, MM

d	11,000
D	19,000
B	32,200
B1	11,000
B2	20,000
F	M8x1.25

CALCULATION DATA

Basic static load rating, Co	11,200 kN
------------------------------	-----------

WEIGHT, KG 0,033

MANUFACTURER [IKO](#)

INTERCHANGE

ABC	CFE 8 VUUR
SKF	KRVE 19 PP

CALCULATION DATA

Basic dynamic load rating, C	8,170 kN
------------------------------	----------