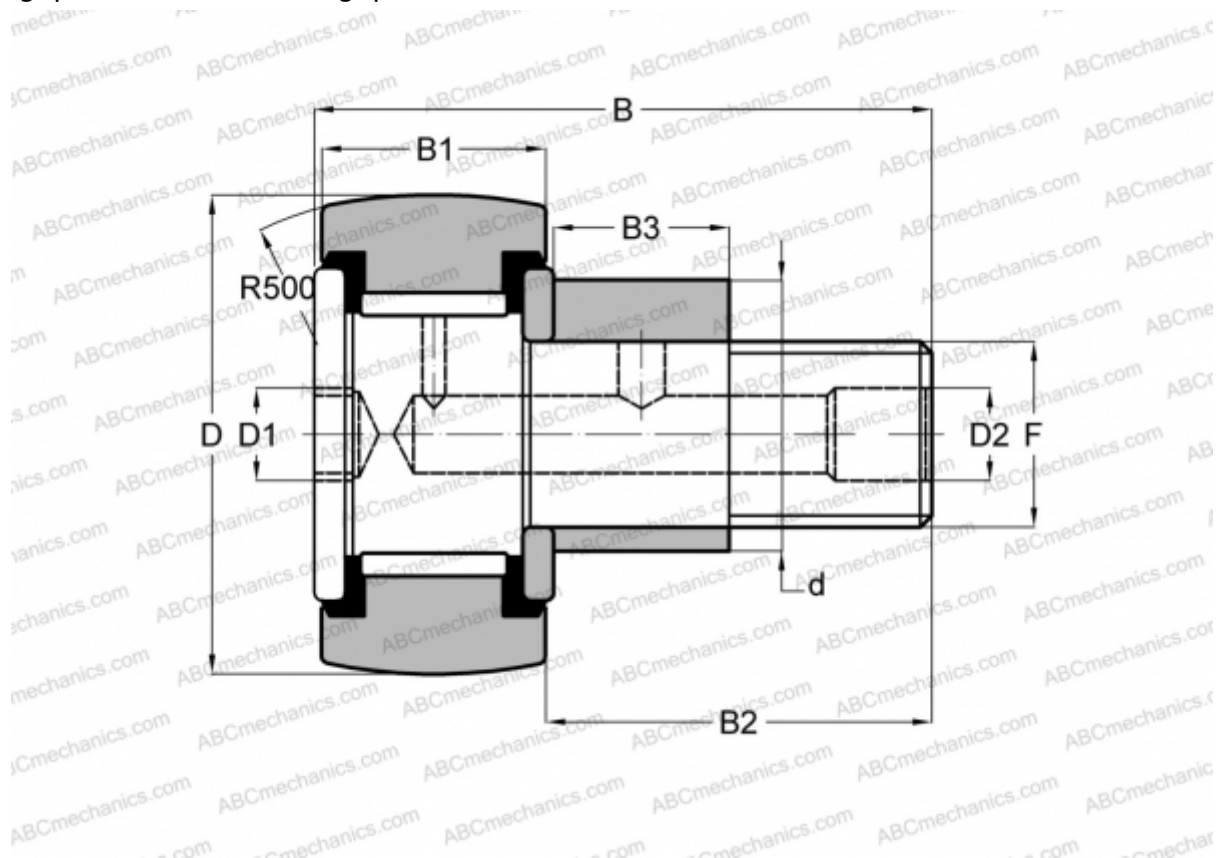


KRVE 19 PP SKF

Cam followers

TYPE: Roller bearings, Stud type track rollers, With axial guidance, eccentric stud, full complement bearing, gap seal on both side, gap seal on both side



Technical specification

DIMENSIONS, MM

| | |
|----|---------|
| d | 11,000 |
| D | 19,000 |
| B | 32,200 |
| B1 | 11,000 |
| B2 | 20,000 |
| F | M8x1.25 |

WEIGHT, KG 0,033

MANUFACTURER [SKF](#)

INTERCHANGE

| | |
|-----|----------------------------|
| ABC | CFE 8 VUUR |
| IKO | CFE 8 VUUR |