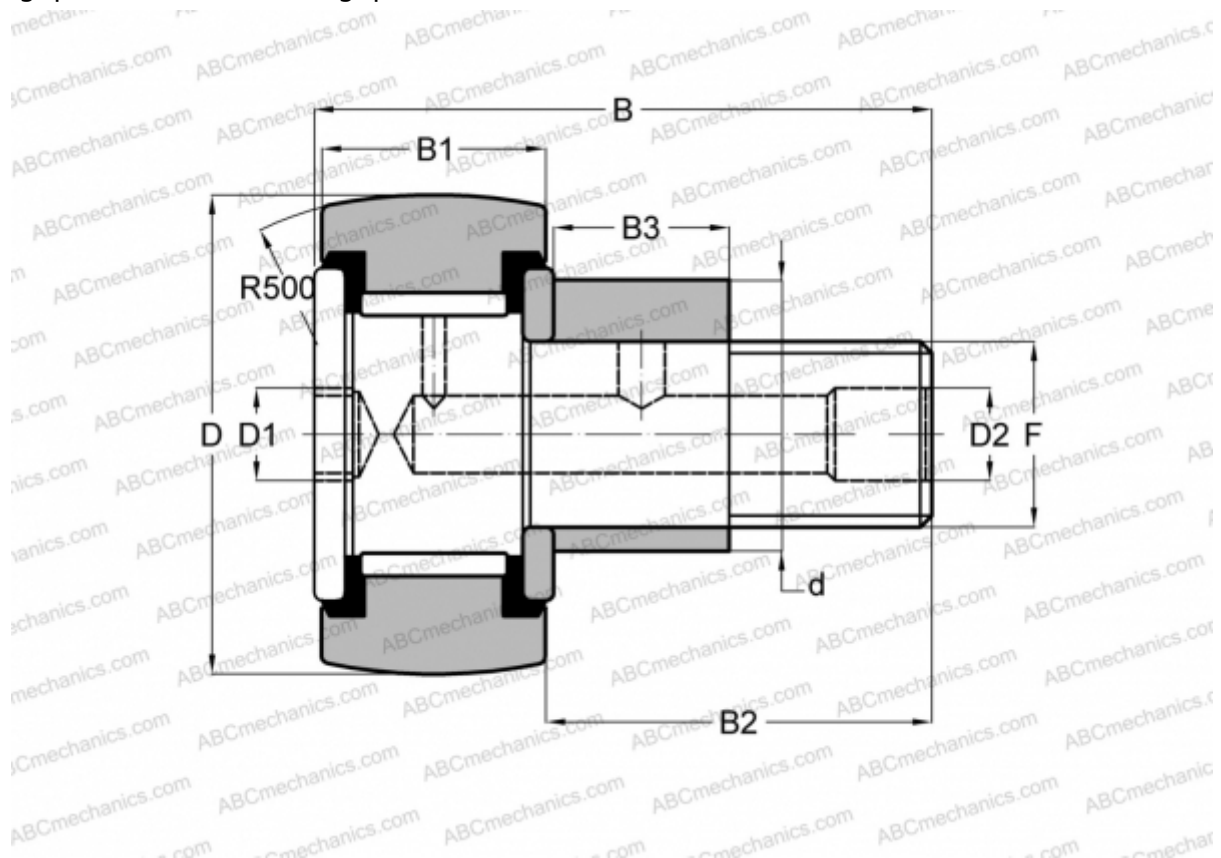


KRVE 26 PP SKF

Cam followers

TYPE: Roller bearings, Stud type track rollers, With axial guidance, eccentric stud, full complement bearing, gap seal on both side, gap seal on both side



Technical specification

DIMENSIONS, MM

d	13,000
D	26,000
B	36,200
B1	12,000
B2	23,000
F	M10x1

WEIGHT, KG 0,066

MANUFACTURER [SKF](#)

INTERCHANGE

ABC	CFE 10-1 VUURM
IKO	CFE 10-1 VUURM