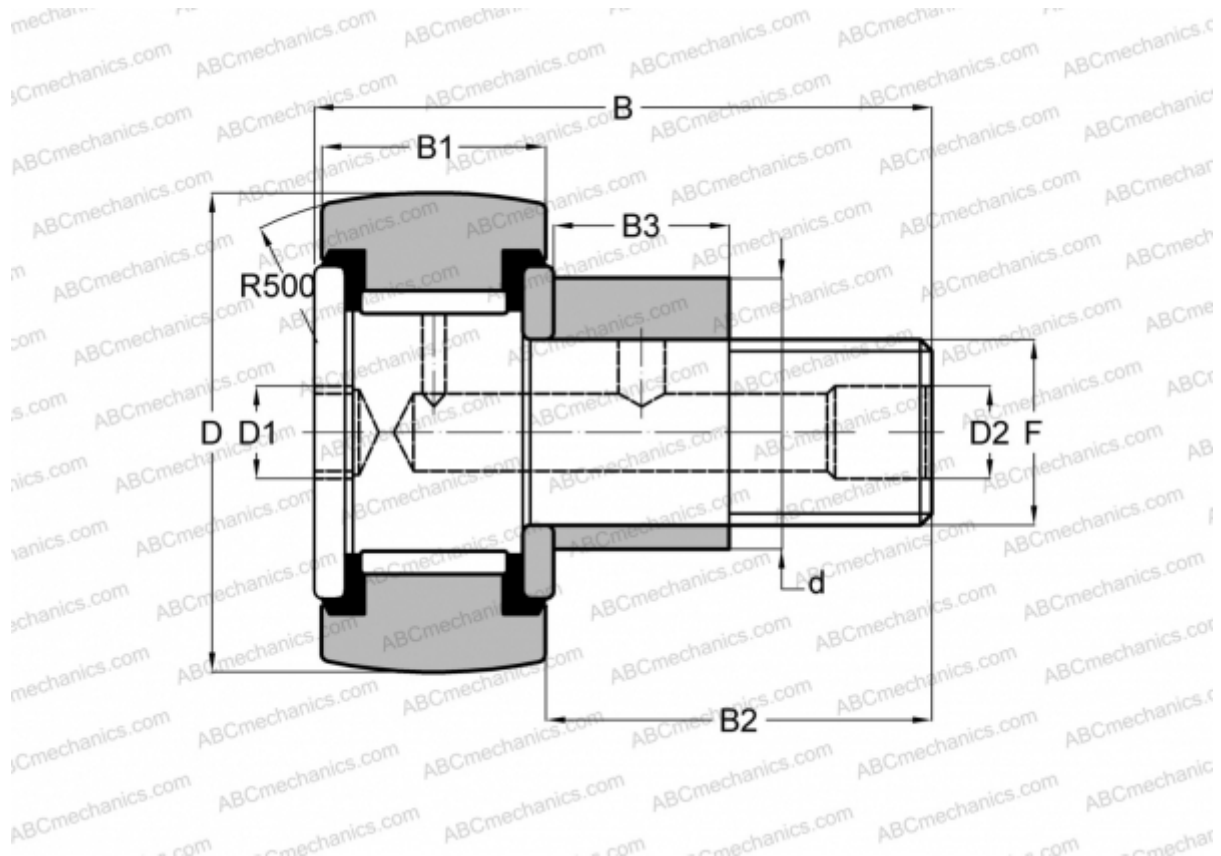


KRVE 16 SK INA

Cam followers

TYPE: Roller bearings, Stud type track rollers, With axial guidance, eccentric stud, full complement bearing, gap seal on both side, hex socket



Technical specification

DIMENSIONS, MM

d	9,000
D	16,000
B	28,200
B1	11,000
B2	16,000
F	M6x1

WEIGHT, KG 0,021

MANUFACTURER [INA](#)

INTERCHANGE

ABC	CFE 6 VBR
IKO	CFE 6 VBR