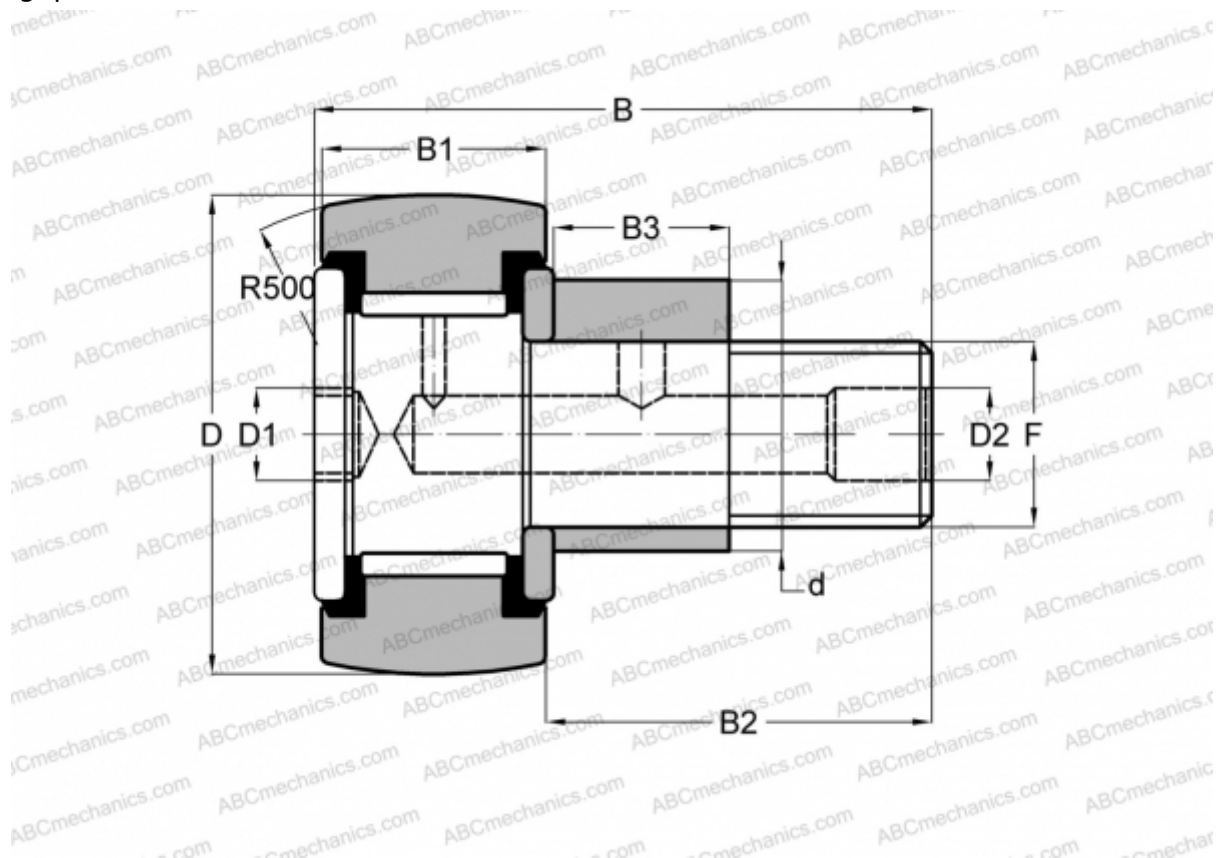


## KRVE 19 SK INA

Cam followers

TYPE: Roller bearings, Stud type track rollers, With axial guidance, eccentric stud, full complement bearing, gap seal on both side, hex socket



### Technical specification

#### DIMENSIONS, MM

d	11,000
D	19,000
B	32,200
B1	11,000
B2	20,000
F	M8x1.25

**WEIGHT, KG** 0,033

**MANUFACTURER** [INA](#)

#### INTERCHANGE

ABC	<a href="#">CFE 8 VBR</a>
IKO	<a href="#">CFE 8 VBR</a>