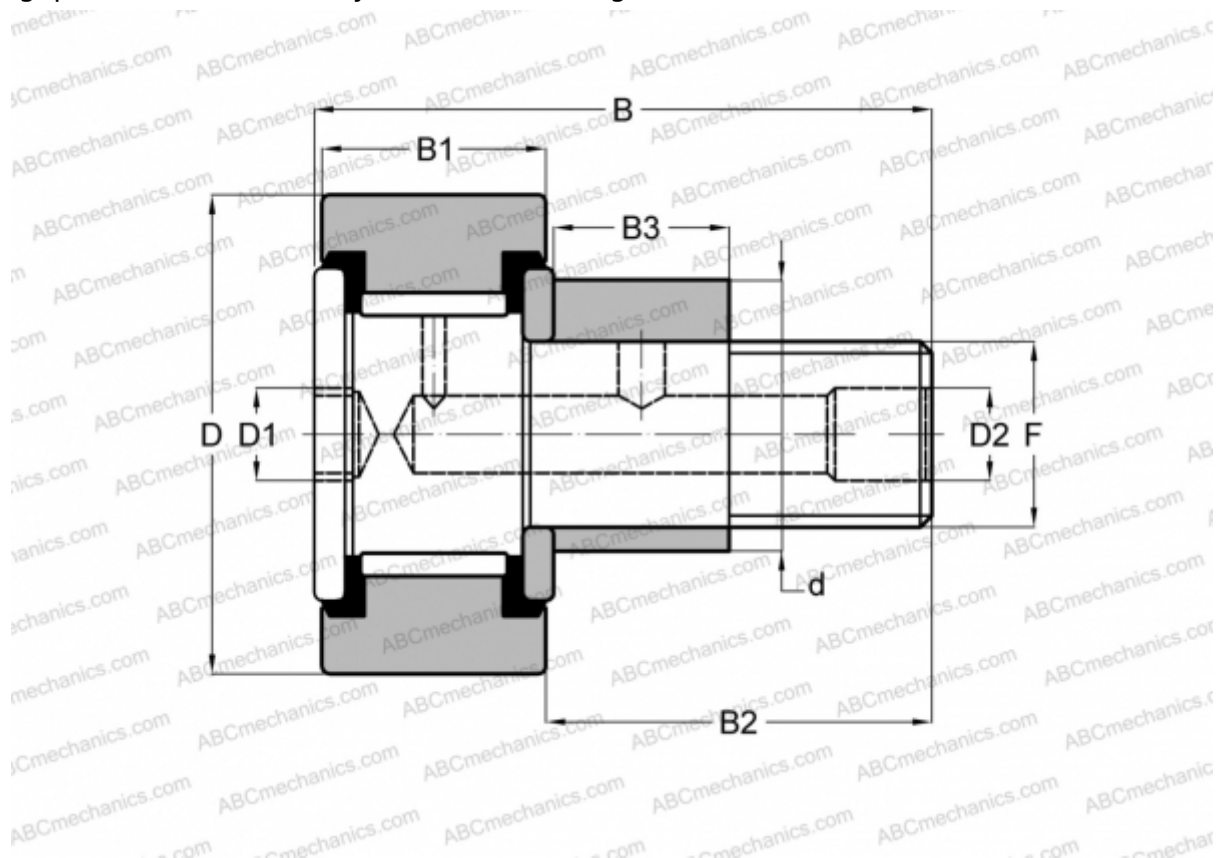


## CFE 10 VBM ABC

Cam followers

TYPE: Roller bearings, Stud type track rollers, With axial guidance, eccentric stud, full complement bearing, gap seal on both side, cylindrical outer ring, hex socket



### Technical specification

#### DIMENSIONS, MM

d	13,000
D	22,000
B	36,200
B1	12,000
B2	23,000
F	M10x1

**MANUFACTURER** [ABC](#)

#### INTERCHANGE

IKO	<a href="#">CFE 10 VBM</a>
INA	<a href="#">KRVE 22 XSK</a>