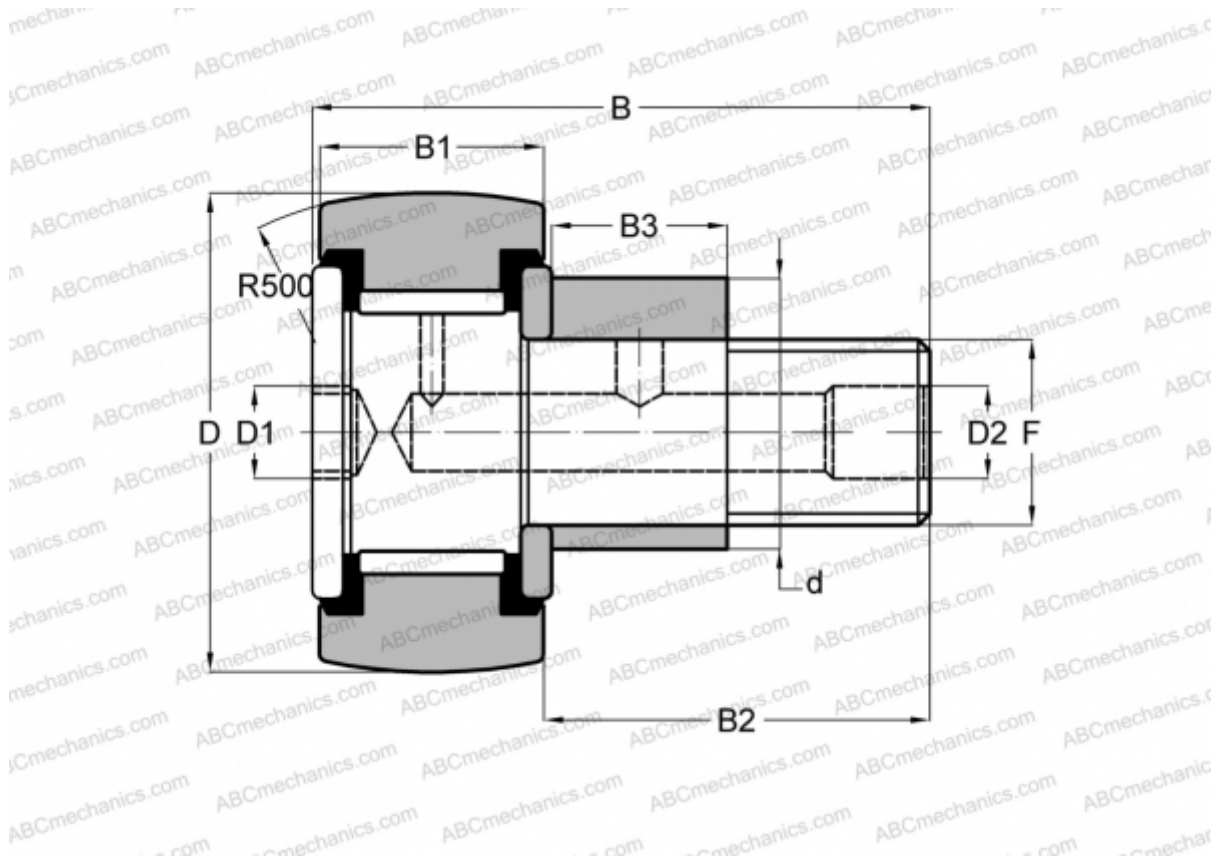


## CFE 6 VBUUR IKO

Cam followers

TYPE: Roller bearings, Stud type track rollers, With axial guidance, eccentric stud, full complement bearing, sealing rings on both sides, hex socket



### Technical specification

#### DIMENSIONS, MM

d	9,000
D	16,000
B	28,200
B1	11,000
B2	16,000
F	M6x1

**WEIGHT, KG** 0,021

**MANUFACTURER** [IKO](#)

#### INTERCHANGE

ABC	<a href="#">CFE 6 VBUUR</a>
INA	<a href="#">KRVE 16 PPSK</a>

#### CALCULATION DATA

Basic dynamic load rating, C	6,980 kN
------------------------------	----------

#### CALCULATION DATA

Basic static load rating, Co	8,500 kN
------------------------------	----------