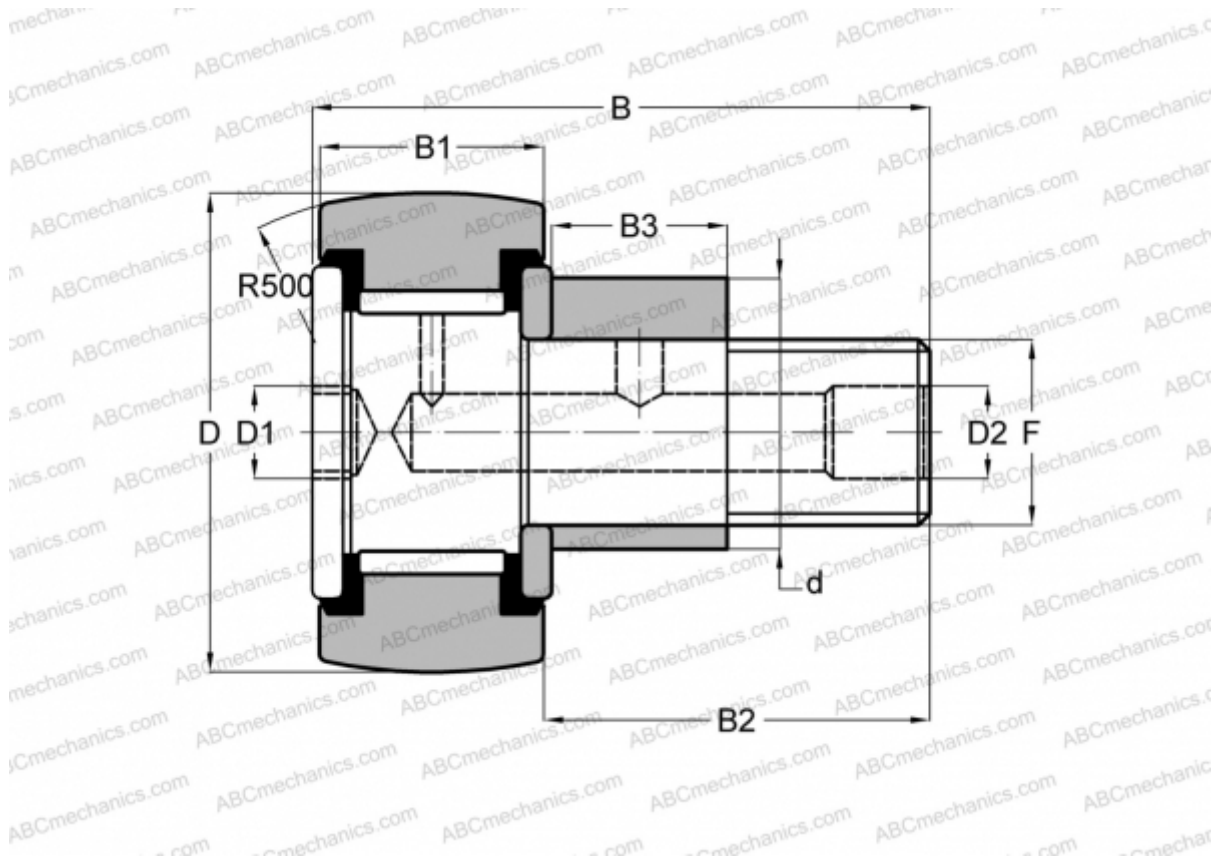


CFE 8 VBUUR IKO

Cam followers

TYPE: Roller bearings, Stud type track rollers, With axial guidance, eccentric stud, full complement bearing, sealing rings on both sides, hex socket



Technical specification

DIMENSIONS, MM

d	11,000
D	19,000
B	32,200
B1	11,000
B2	20,000
F	M8x1.25

MANUFACTURER

[IKO](#)

INTERCHANGE

ABC	CFE 8 VBUUR
INA	KRVE 19 PPSK

CALCULATION DATA

Basic dynamic load rating, C	8,170 kN
Basic static load rating, Co	11,200 kN