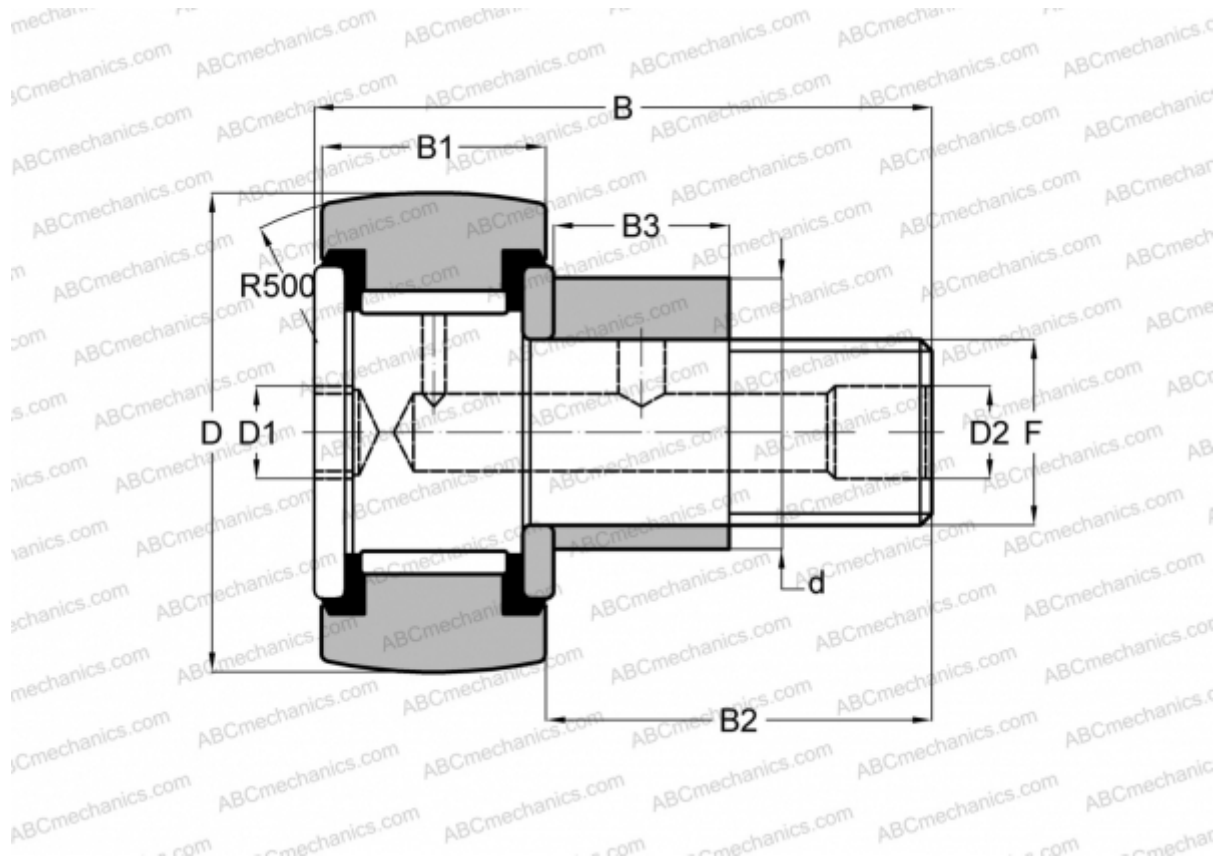


CFE 10 VBUURM IKO

Cam followers

TYPE: Roller bearings, Stud type track rollers, With axial guidance, eccentric stud, full complement bearing, sealing rings on both sides, hex socket



Technical specification

DIMENSIONS, MM

d	13,000
D	22,000
B	36,200
B1	12,000
B2	23,000
F	M10x1

WEIGHT, KG 0,051

MANUFACTURER [IKO](#)

INTERCHANGE

ABC	CFE 10 VBUURM
INA	KRVE 22 PPSK

CALCULATION DATA

Basic dynamic load rating, C	9,570 kN
------------------------------	----------

CALCULATION DATA

Basic static load rating, Co	14,500 kN
------------------------------	-----------