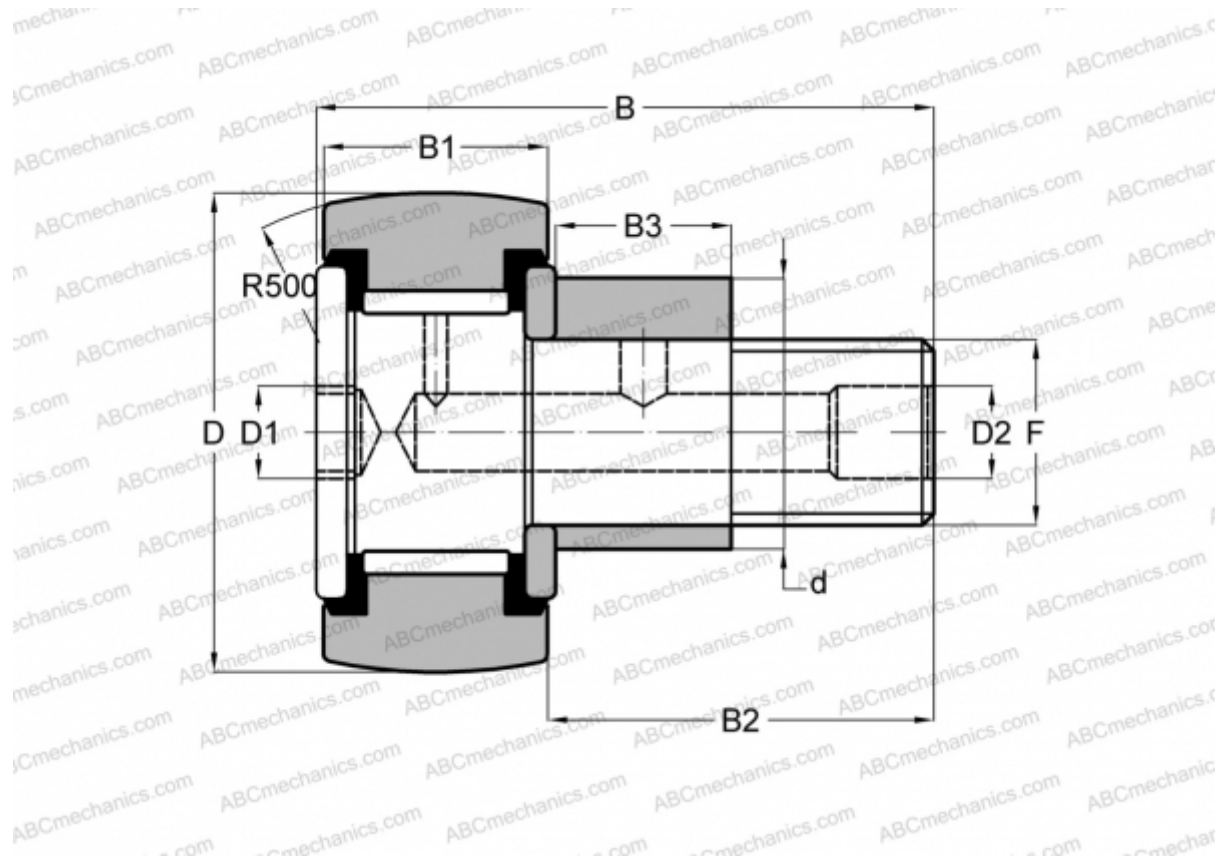


CFE 16 VBUUR IKO

Cam followers

TYPE: Roller bearings, Stud type track rollers, With axial guidance, eccentric stud, full complement bearing, sealing rings on both sides, hex socket



Technical specification

DIMENSIONS, MM

| | |
|----|---------|
| d | 22,000 |
| D | 35,000 |
| B | 52,100 |
| B1 | 18,000 |
| B2 | 32,500 |
| F | M16x1.5 |

WEIGHT, KG 0,193

MANUFACTURER [IKO](#)

INTERCHANGE

ABC [CFE 16 VBUUR](#)

CALCULATION DATA

| | |
|------------------------------|-----------|
| Basic dynamic load rating, C | 20,700 kN |
| Basic static load rating, Co | 37,600 kN |