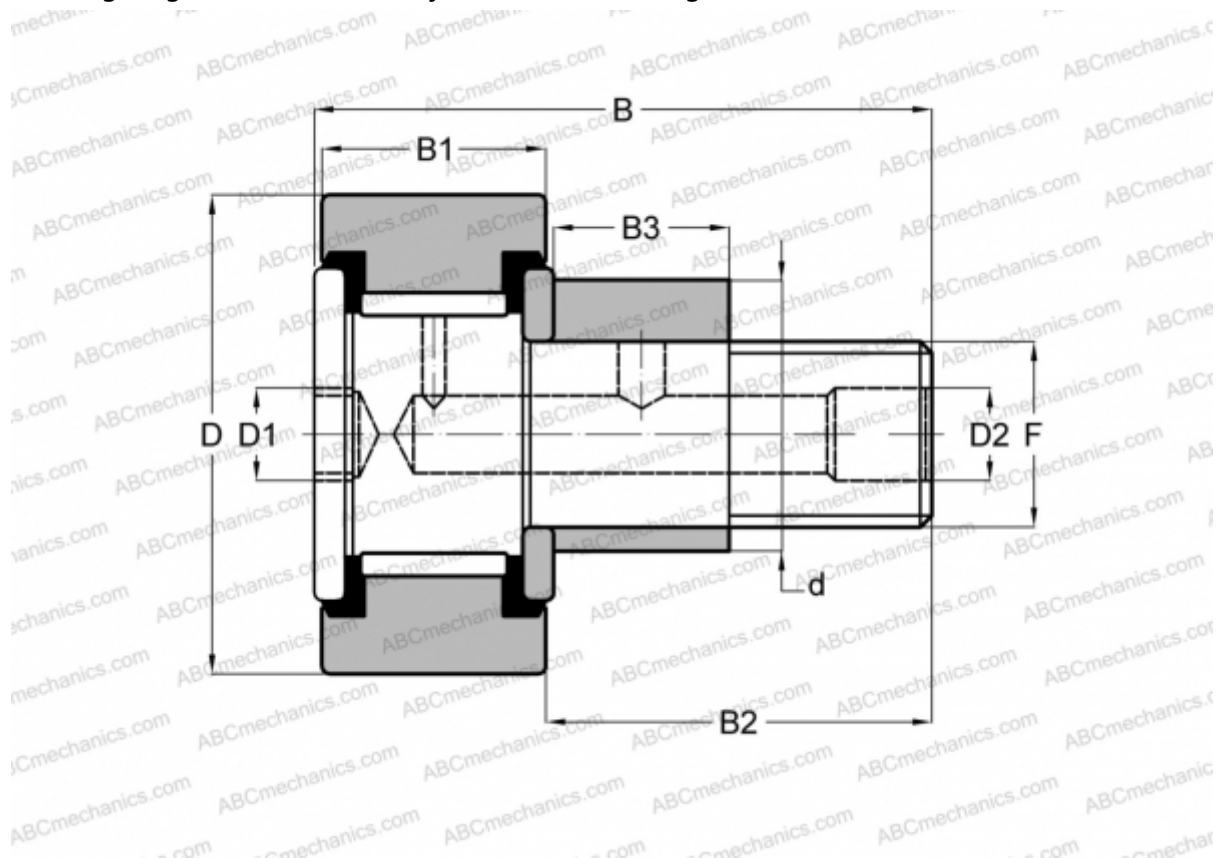


KRVE 19 PPXSK INA

Cam followers

TYPE: Roller bearings, Stud type track rollers, With axial guidance, eccentric stud, full complement bearing, sealing rings on both sides, cylindrical outer ring



Technical specification

DIMENSIONS, MM

d	11,000
D	19,000
B	32,200
B1	11,000
B2	20,000
F	M8x1.25

WEIGHT, KG 0,033

MANUFACTURER [INA](#)

INTERCHANGE

ABC	CFE 8 VBUU
IKO	CFE 8 VBUU