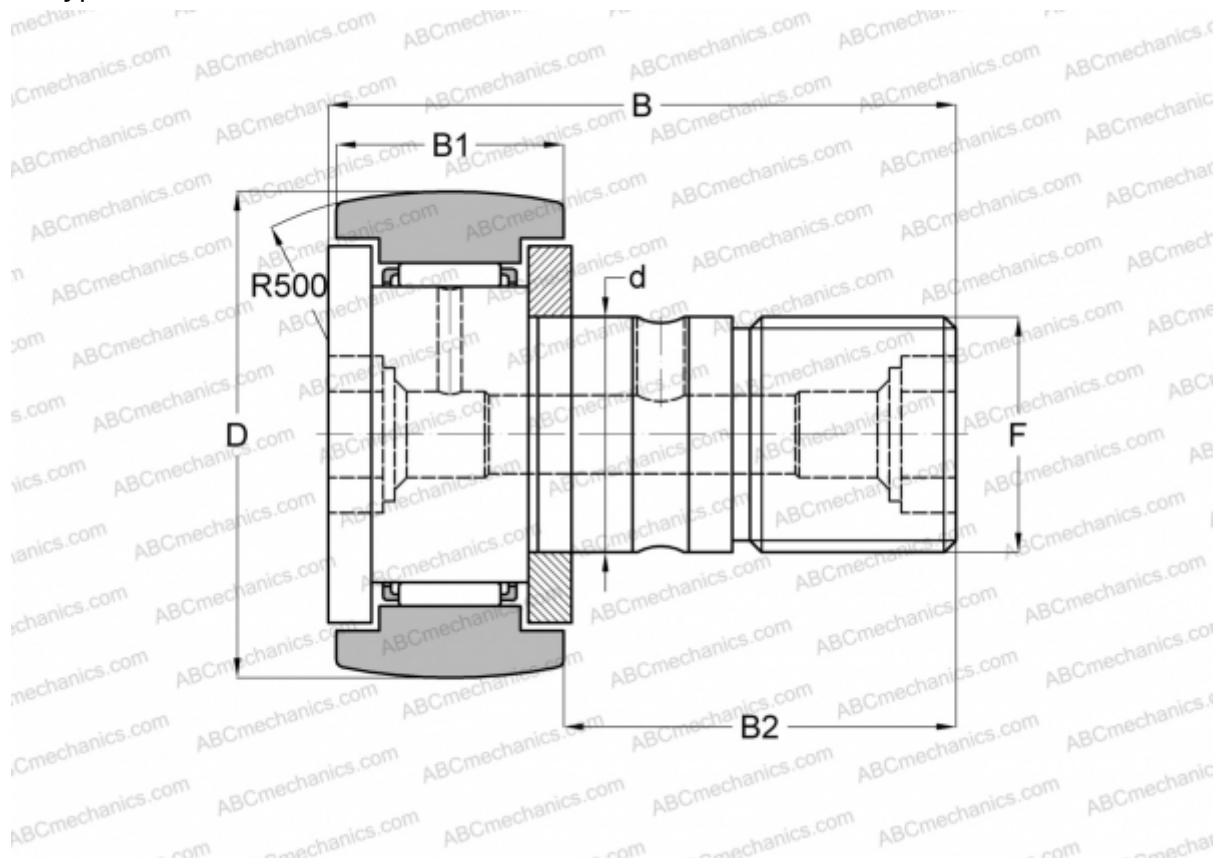


## CF-RU1-12-1 IKO

Cam followers

TYPE: Roller bearings, Stud type track rollers, With axial guidance, gap seals on both side, centralized lubrication type (IKO)



### Technical specification

#### DIMENSIONS, MM

|    |         |
|----|---------|
| d  | 12,000  |
| D  | 32,000  |
| B  | 40,200  |
| B1 | 14,000  |
| B2 | 25,000  |
| F  | M12x1.5 |

**WEIGHT, KG** 0,105

**MANUFACTURER** [IKO](http://www.iko.com)

#### CALCULATION DATA

|                              |          |
|------------------------------|----------|
| Basic dynamic load rating, C | 7,910 kN |
| Basic static load rating, Co | 9,790 kN |