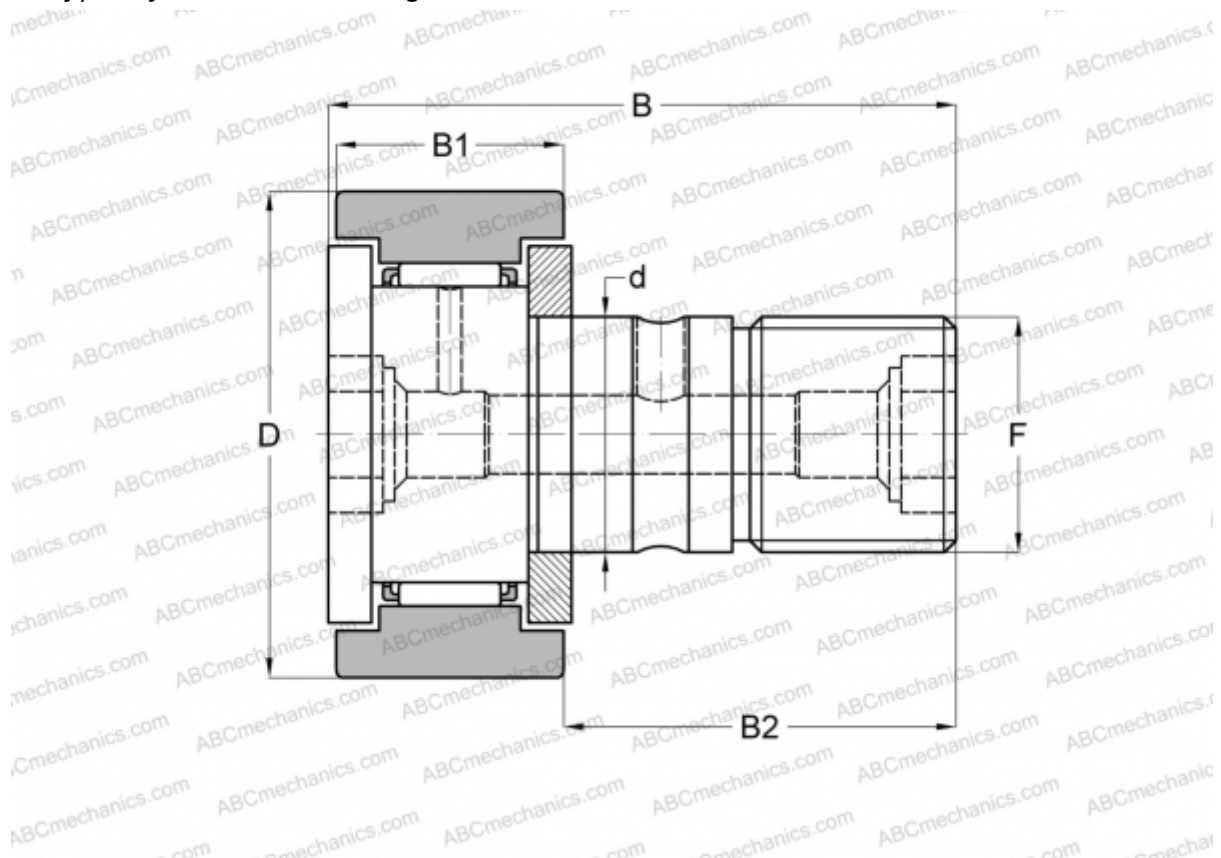


## CF-FU1-30-2 IKO

Cam followers

TYPE: Roller bearings, Stud type track rollers, With axial guidance, gap seals on both side, centralized lubrication type, cylindrical outer ring (IKO)



### Technical specification

#### DIMENSIONS, MM

d	30,000
D	90,000
B	100,000
B1	35,000
B2	63,000
F	M30x1.5

**WEIGHT, KG** 2,220

**MANUFACTURER** [IKO](#)

#### CALCULATION DATA

Basic dynamic load rating, C	45,400 kN
Basic static load rating, Co	85,100 kN