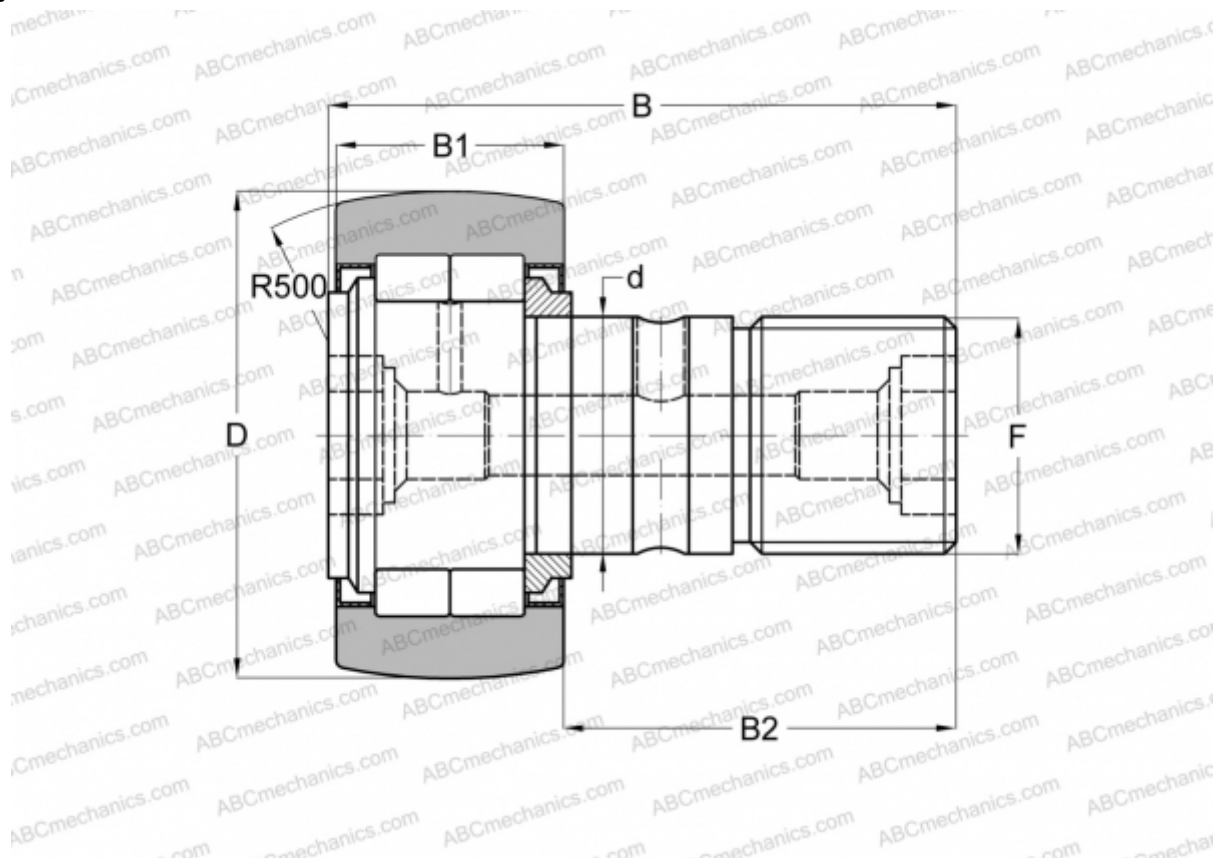


NUCF 10-1 R ABC

Cam followers

TYPE: Roller bearings, Stud type track rollers, With axial guidance, full complement cylindrical roller set, labyrinth seals on both sides



Technical specification

DIMENSIONS, MM

d	10,000
D	26,000
B	36,200
B1	12,000
B2	23,000
F	M10x1.25

WEIGHT, KG 0,058

MANUFACTURER [ABC](#)

INTERCHANGE

IKO	NUCF 10-1 R
-----	-----------------------------