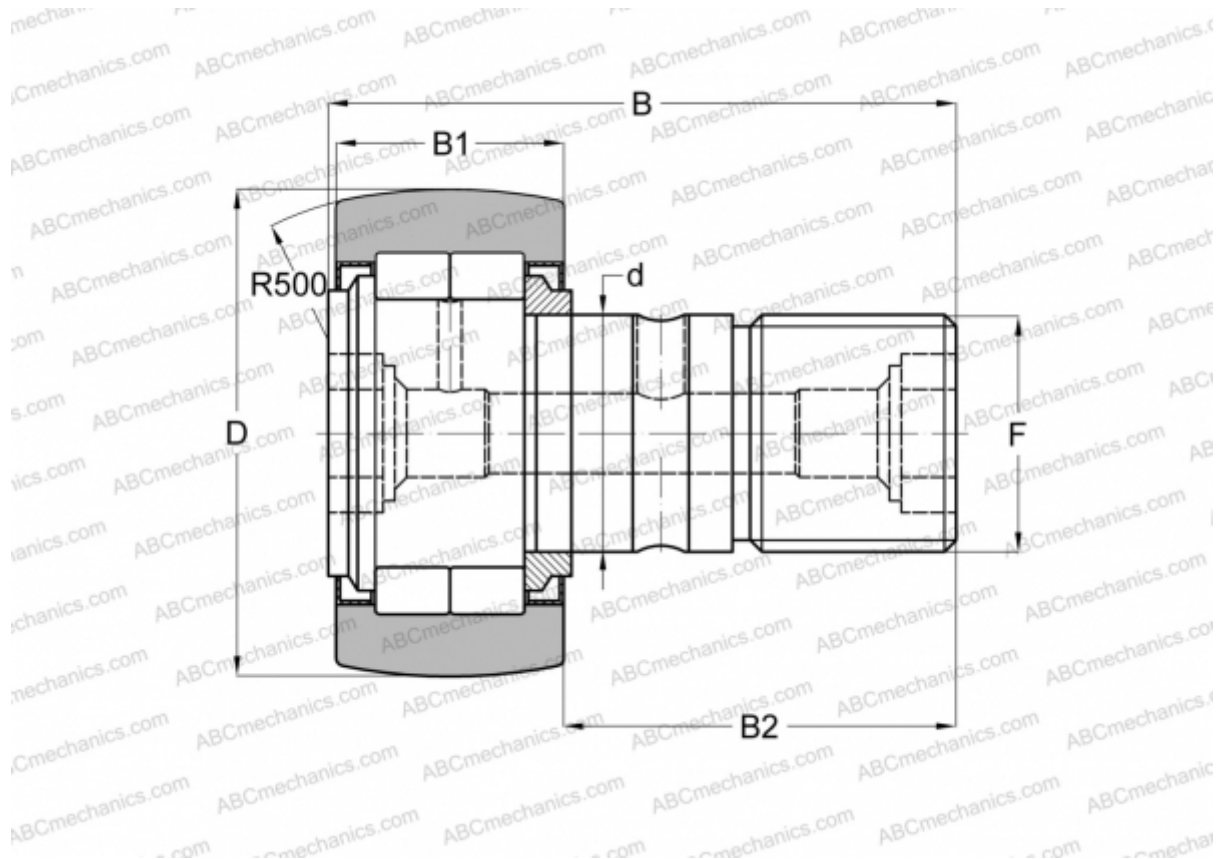


## NUCF 10-1 R IKO

Cam followers

TYPE: Roller bearings, Stud type track rollers, With axial guidance, full complement cylindrical roller set, labyrinth seals on both sides



### Technical specification

#### DIMENSIONS, MM

d	10,000
D	26,000
B	36,200
B1	12,000
B2	23,000
F	M10x1.25

**WEIGHT, KG** 0,058

**MANUFACTURER** [IKO](#)

#### INTERCHANGE

ABC [NUCF 10-1 R](#)

#### CALCULATION DATA

Basic dynamic load rating, C	10,400 kN
Basic static load rating, Co	11,500 kN