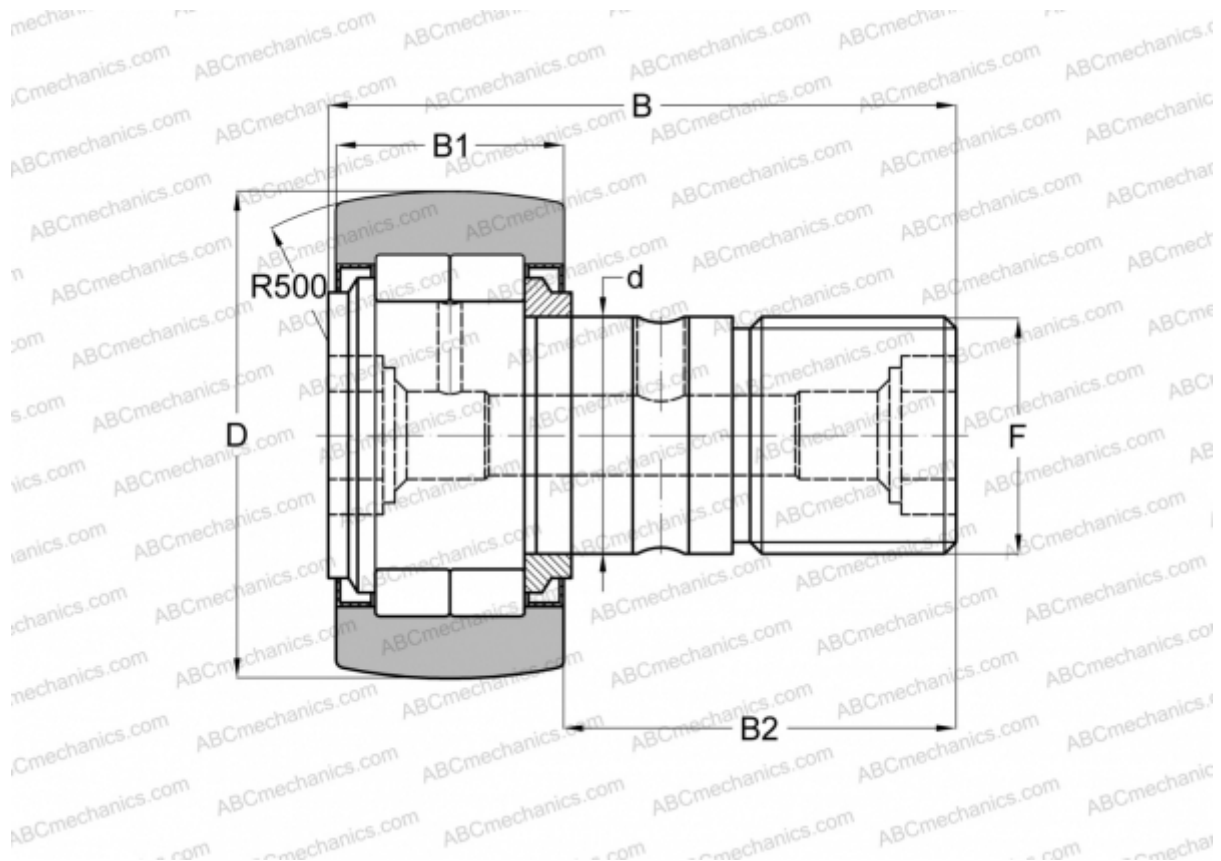


## NUKR 35 C(NUKD 35AA) FAG

Cam followers

TYPE: Roller bearings, Stud type track rollers, With axial guidance, full complement cylindrical roller set, labyrinth seals on both sides



### Technical specification

#### DIMENSIONS, MM

d	16,000
D	35,000
B	52,000
B1	18,000
B2	32,500
F	M16x1.5

**WEIGHT, KG** 0,172

**MANUFACTURER** [FAG](#)

#### INTERCHANGE

ABC	<a href="#">NUKR 35</a>
INA	<a href="#">NUKR 35</a>
IKO	<a href="#">NUCF 16 R</a>
McGill	<a href="#">MCFD 35 S</a>

#### INTERCHANGE

SKF [NUKR 35 A](#)