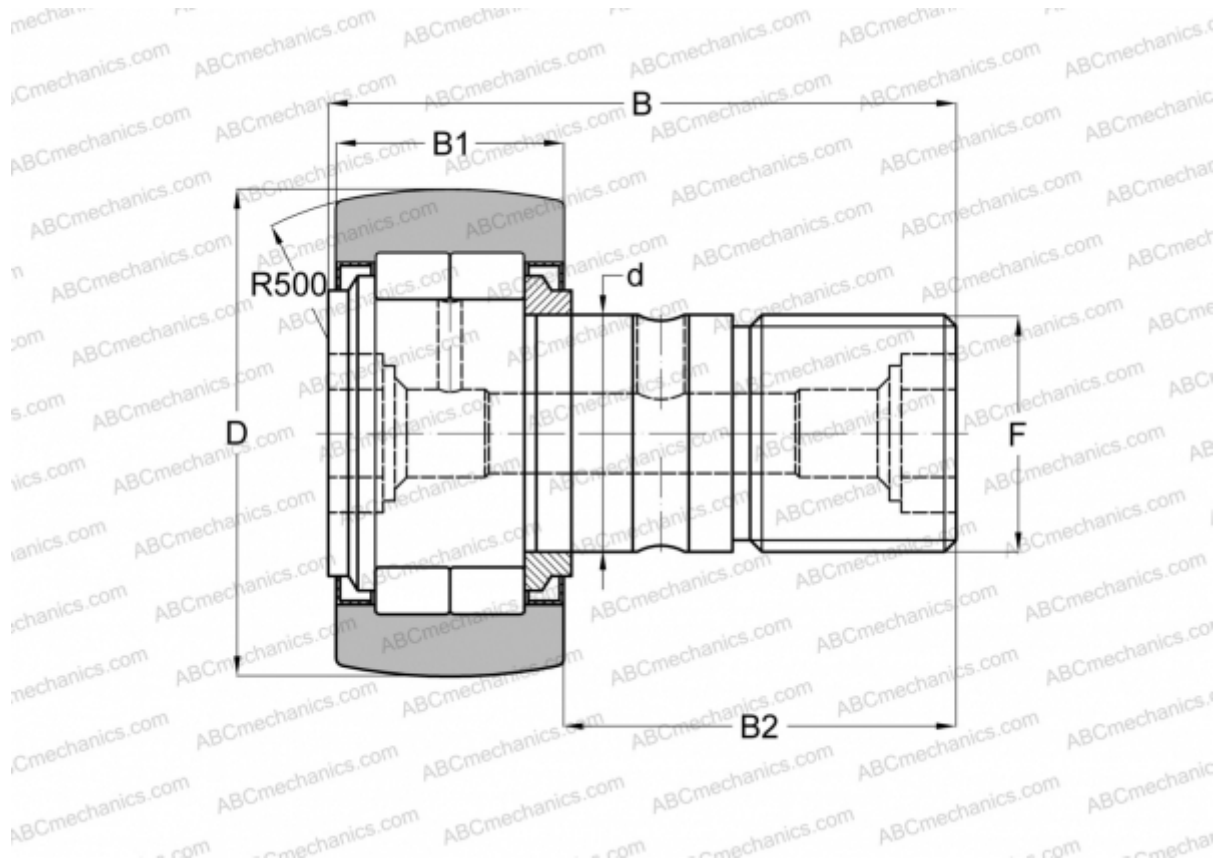


NUCF 16 R IKO

Cam followers

TYPE: Roller bearings, Stud type track rollers, With axial guidance, full complement cylindrical roller set, labyrinth seals on both sides



Technical specification

DIMENSIONS, MM

d	16,000
D	35,000
B	52,100
B1	18,000
B2	32,500
F	M16x1.5

WEIGHT, KG 0,167

MANUFACTURER [IKO](#)

INTERCHANGE

ABC	NUKR 35
FAG	NUKR 35 C(NUKD 35AA)
INA	NUKR 35
McGill	MCFD 35 S

INTERCHANGE

SKF [NUKR 35 A](#)

CALCULATION DATA

Basic dynamic load rating, C	23,400 kN
Basic static load rating, Co	27,300 kN