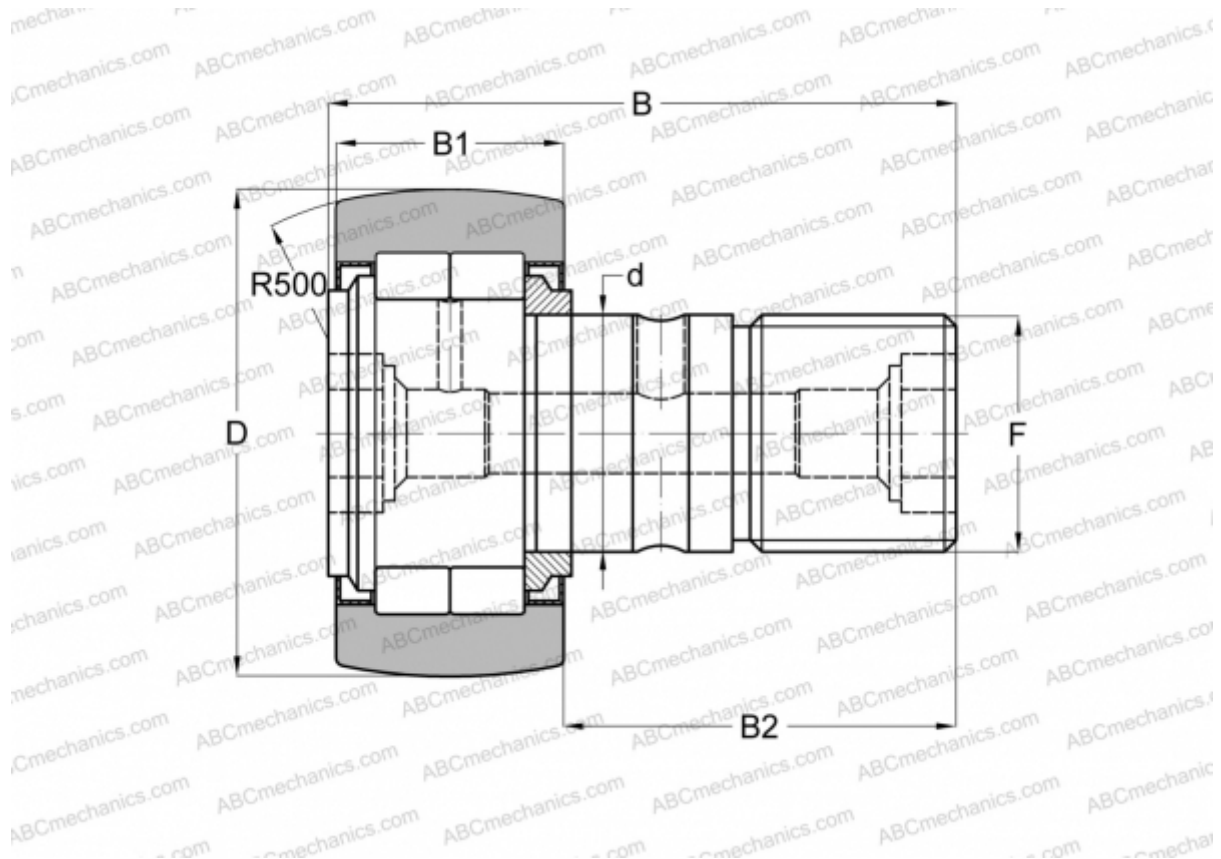


## NUCF 20-1 R IKO

Cam followers

TYPE: Roller bearings, Stud type track rollers, With axial guidance, full complement cylindrical roller set, labyrinth seals on both sides



### Technical specification

#### DIMENSIONS, MM

d	20,000
D	47,000
B	66,100
B1	24,000
B2	40,500
F	M20x1.5

**WEIGHT, KG** 0,384

**MANUFACTURER** [IKO](#)

#### INTERCHANGE

ABC	<a href="#">NUKR 47</a>
FAG	<a href="#">NUKR 47 C(NUKD 47)</a>
INA	<a href="#">NUKR 47</a>
McGill	<a href="#">MCFD 47 S</a>

#### INTERCHANGE

SKF [NUKR 47 A](#)

#### CALCULATION DATA

Basic dynamic load rating, C	38,900 kN
Basic static load rating, Co	49,000 kN