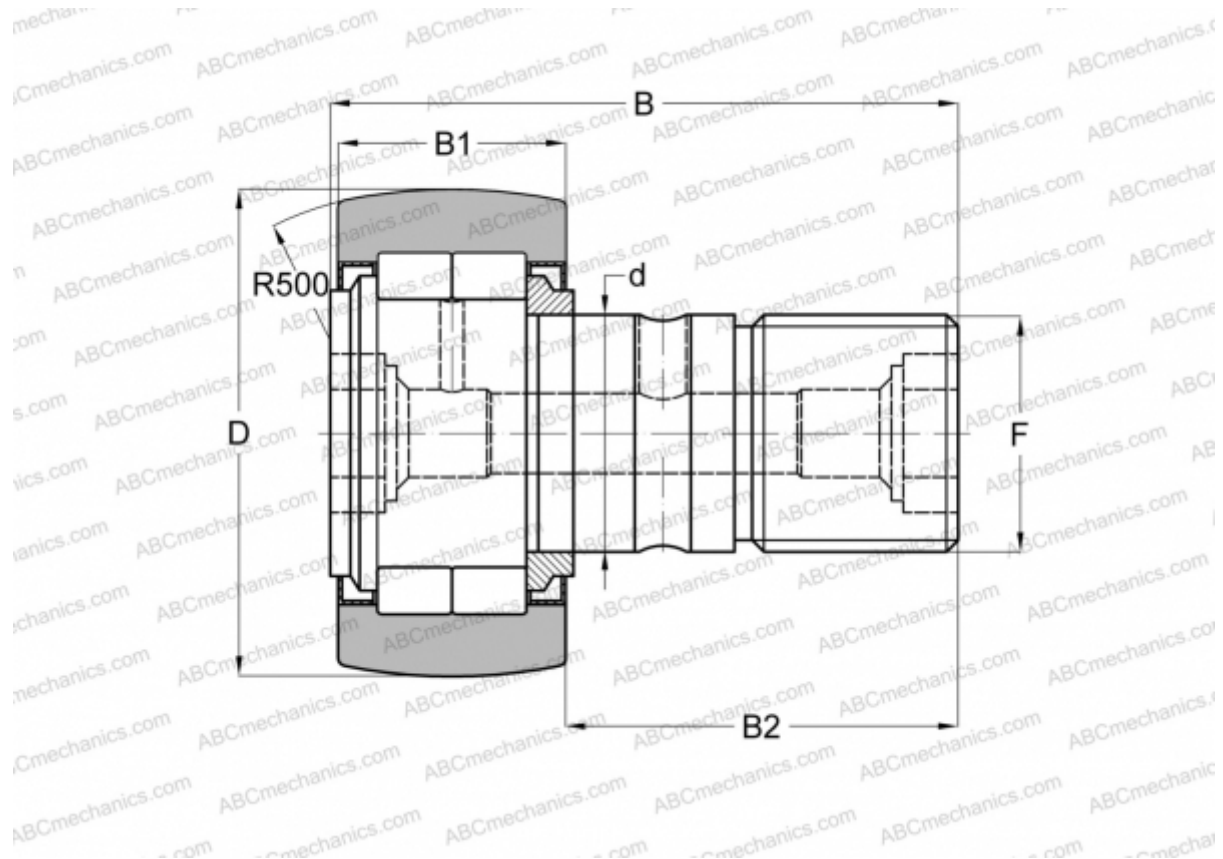


MCFD 47 S McGill

Cam followers

TYPE: Roller bearings, Stud type track rollers, With axial guidance, full complement cylindrical roller set, labyrinth seals on both sides



Technical specification

DIMENSIONS, MM

| | |
|----|---------|
| d | 20,000 |
| D | 47,000 |
| B | 66,000 |
| B1 | 24,000 |
| B2 | 40,500 |
| F | M20x1.5 |

WEIGHT, KG 0,390

MANUFACTURER [McGill](#)

INTERCHANGE

| | |
|-----|------------------------------------|
| ABC | NUKR 47 |
| FAG | NUKR 47 C(NUKD 47) |
| INA | NUKR 47 |
| IKO | NUCF 20-1 R |

INTERCHANGE

SKF [NUKR 47 A](#)