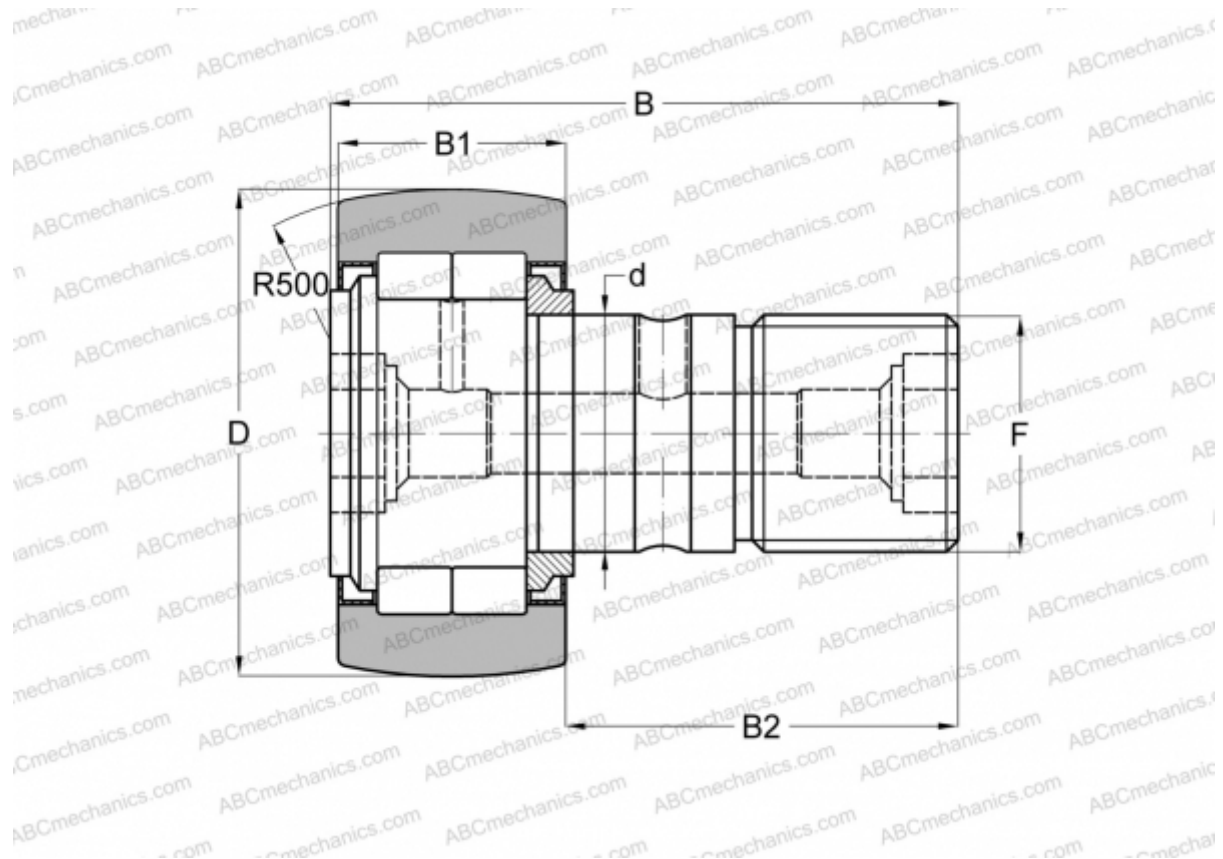


## MCFD 52 S McGill

Cam followers

TYPE: Roller bearings, Stud type track rollers, With axial guidance, full complement cylindrical roller set, labyrinth seals on both sides



### Technical specification

#### DIMENSIONS, MM

d	20,000
D	52,000
B	66,000
B1	24,000
B2	40,500
F	M20x1.5

**WEIGHT, KG** 0,463

**MANUFACTURER** [McGill](#)

#### INTERCHANGE

ABC	<a href="#">NUKR 52</a>
FAG	<a href="#">NUKR 52 C(NUKD 52)</a>
INA	<a href="#">NUKR 52</a>
IKO	<a href="#">NUCF 20 R</a>

#### INTERCHANGE

SKF [NUKR 52 A](#)