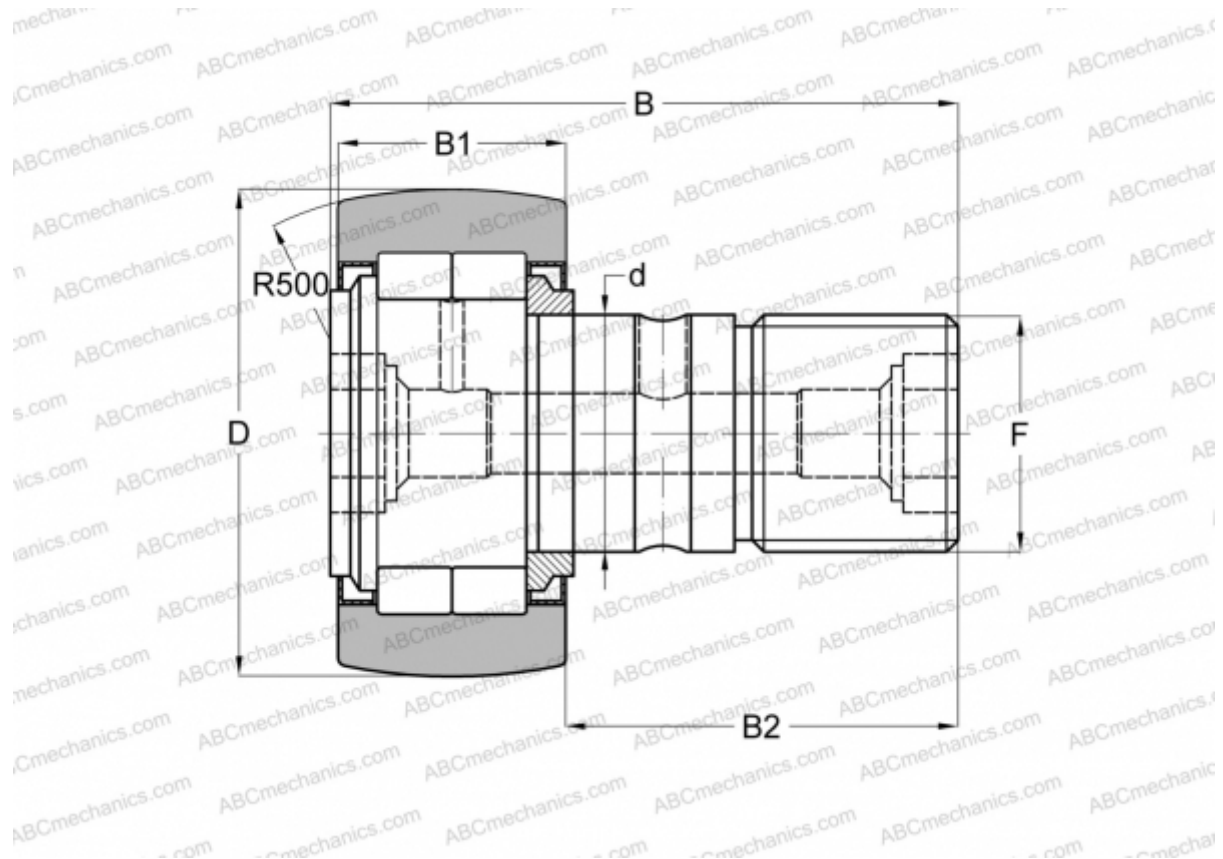


## NUKR 80 C(NUKD 80) FAG

Cam followers

TYPE: Roller bearings, Stud type track rollers, With axial guidance, full complement cylindrical roller set, labyrinth seals on both sides



### Technical specification

#### DIMENSIONS, MM

d	30,000
D	80,000
B	100,000
B1	35,000
B2	63,000
F	M30x1.5

**WEIGHT, KG** 1,551

**MANUFACTURER** [FAG](#)

#### INTERCHANGE

ABC	<a href="#">NUKR 80</a>
INA	<a href="#">NUKR 80</a>
IKO	<a href="#">NUCF 30 R</a>
McGill	<a href="#">MCFD 80 S</a>

#### INTERCHANGE

SKF [NUKR 80 A](#)