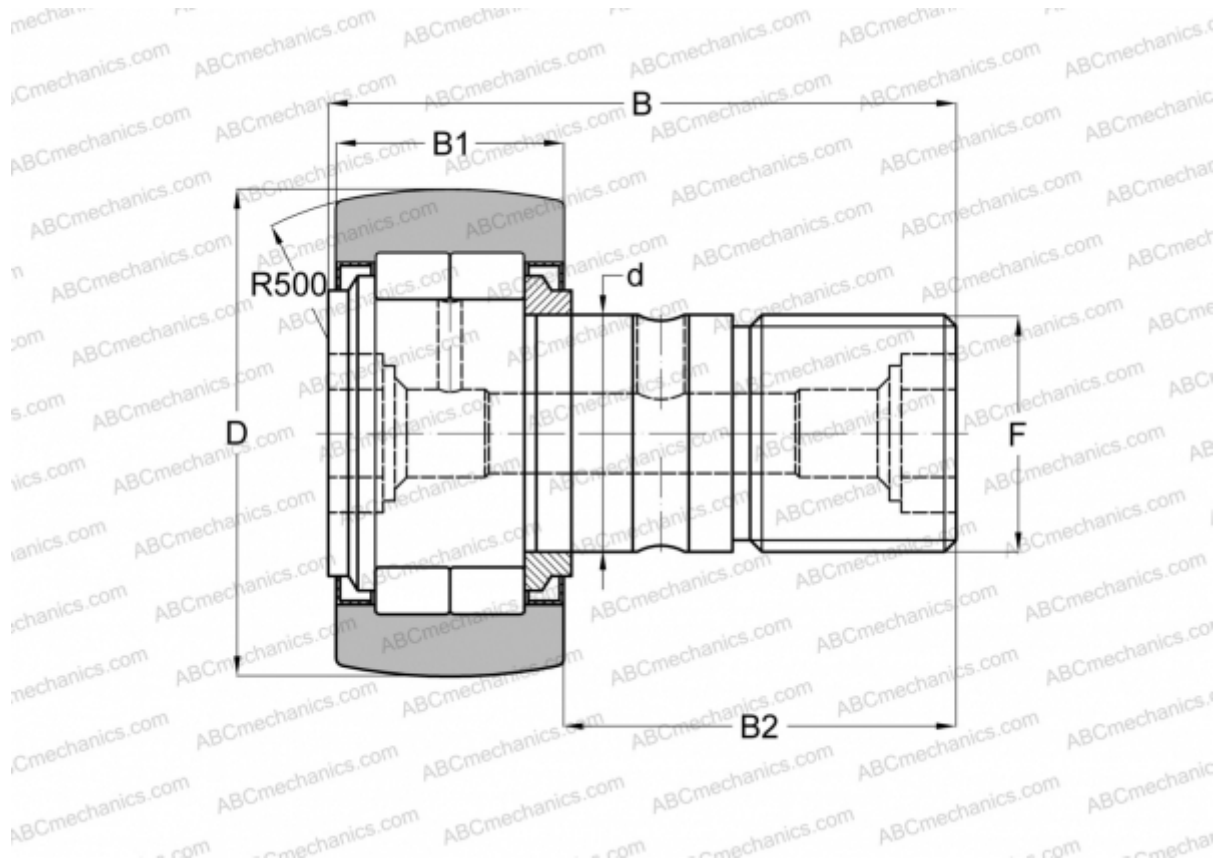


NUKR 80 INA

Cam followers

TYPE: Roller bearings, Stud type track rollers, With axial guidance, full complement cylindrical roller set, labyrinth seals on both sides



Technical specification

DIMENSIONS, MM

d	30,000
D	80,000
B	100,000
B1	35,000
B2	63,000
F	M30x1.5

WEIGHT, KG 1,551

MANUFACTURER [INA](#)

INTERCHANGE

ABC	NUKR 80
FAG	NUKR 80 C(NUKD 80)
IKO	NUCF 30 R
McGill	MCFD 80 S

INTERCHANGE

SKF [NUKR 80 A](#)