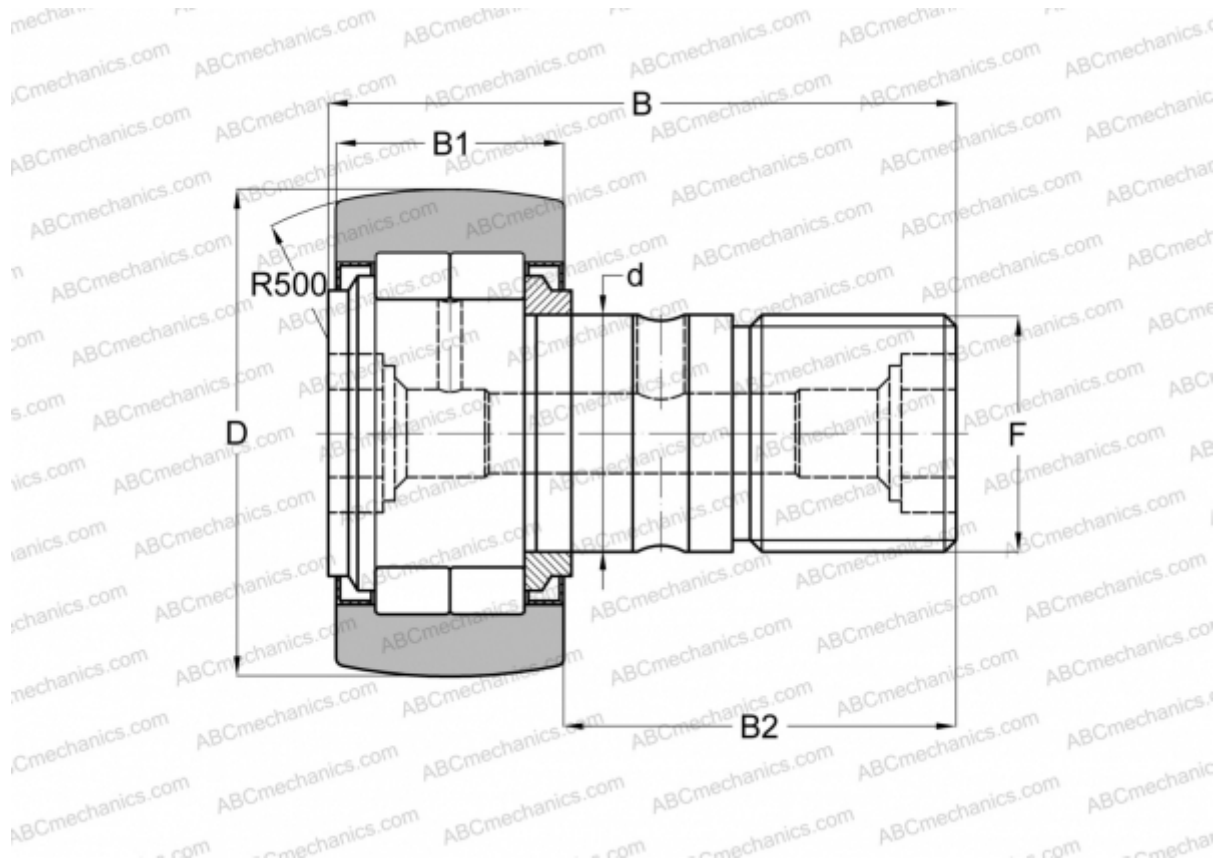


NUKR 80 A SKF

Cam followers

TYPE: Roller bearings, Stud type track rollers, With axial guidance, full complement cylindrical roller set, labyrinth seals on both sides



Technical specification

DIMENSIONS, MM

d	30,000
D	80,000
B	100,000
B1	35,000
B2	63,000
F	M 30x1.5

WEIGHT, KG 1,600

MANUFACTURER [SKF](#)

INTERCHANGE

ABC	NUKR 80
FAG	NUKR 80 C(NUKD 80)
INA	NUKR 80
IKO	NUCF 30 R

INTERCHANGE

McGill [MCFD 80 S](#)

CALCULATION DATA

Basic dynamic load rating, C	69,300 kN
Basic static load rating, Co	86,500 kN
Fatigue load limit, Pu	10,800 kN
Limiting speed	1900 r/min